

Model: PRIPORT PEARL		Date: 15-Sep-99	No: M-C229-01
Modified Article: MPU and ROM Kit		Prepared by:	
From: Priport Service Planning Section		H. Kokubo	
Classification: <input type="checkbox"/> Parts catalog correction <input type="checkbox"/> Vendor change <input type="checkbox"/> To meet standards <input type="checkbox"/> To facilitate assembly <input type="checkbox"/> To improve reliability () <input checked="" type="checkbox"/> Part standardization <input type="checkbox"/> Other ()			
Model Name: Ricoh JP5000, Gestetner 5450, RexRotary 1560, nashuatec CP450, SVN 3350DNP			

The firmware on the MPU has been updated. The new firmware enables the Japanese model to install a sorter as an option. (SP2-4 'Sorter Select' has been added.) This function is for the Japanese model only, but the old and new MPU's (and the ROM kit) are commonly used for the other models (interchangeability is O/O).

Consequently, the part numbers for the MPU and the ROM kit have been changed for identification purposes.

- NOTE:**
- 1) This model uses a flash ROM on the MPU, but does not use EPROM's. The 'ROM Kit' is for updating the firmware in the flash ROM only.
 - 2) For the firmware revision history, including this modification, refer to Technical Bulletin number 5.

Revise your parts catalog as follows:

Old #	New #	Description	Qty	Int	Page	Index
C229 5110	C229 5131	MPU Board	1→1	O/O	83 91	6 *
C229 5114	C229 5134	Firmware Update ROM Kit (4 ROM's/kit)	1→1	O/O	83	3

Model: PRIPORT PEARL	Date: 15-Sep-99	No: M-C229-01
-----------------------------	------------------------	----------------------

CUT IN SERIAL NUMBERS

Model Name	V/Hz	Destination	Code	Serial Number
Ricoh JP5000	120/60	USA, Canada	C229-17	C356 9010001
Ges 5450, Rex 1560, Nsa CP450	230/50	Europe, etc.	C229-22	AT2 9010001
Ricoh JP5000	230/50	China	C229-26	C356 9010001
Ricoh JP5000	230/50	Europe, etc.	C229-27	C356 9010001
Ges 5450, Rex 1560, Nsa CP450	230/50	China	C229-28	AT3 9010001
Ricoh JP5000	230/50	Asia, etc.	C229-29	C356 9010001
Ges 5450, Rex 1560, Nsa CP450, Savin 3350DNP	120/60	USA, Canada	C229-51	AT1 9010001

Model: PRIPORT PEARL		Date: 15-Sep-99	No: M-C229-02
Modified Article: Card Interface Board and Flash Memory Card		Prepared by:	
From: Priport Service Planning Section		H. Kokubo	
Classification: <input type="checkbox"/> Parts catalog correction <input type="checkbox"/> Vendor change <input type="checkbox"/> To meet standards <input type="checkbox"/> To facilitate assembly <input type="checkbox"/> To improve reliability () <input type="checkbox"/> Part standardization <input checked="" type="checkbox"/> Other (To facilitate servicing)			
Model Name: Ricoh JP5000, Gestetner 5450, RexRotary 1560, nashuatec CP450, SVN 3350DNP			

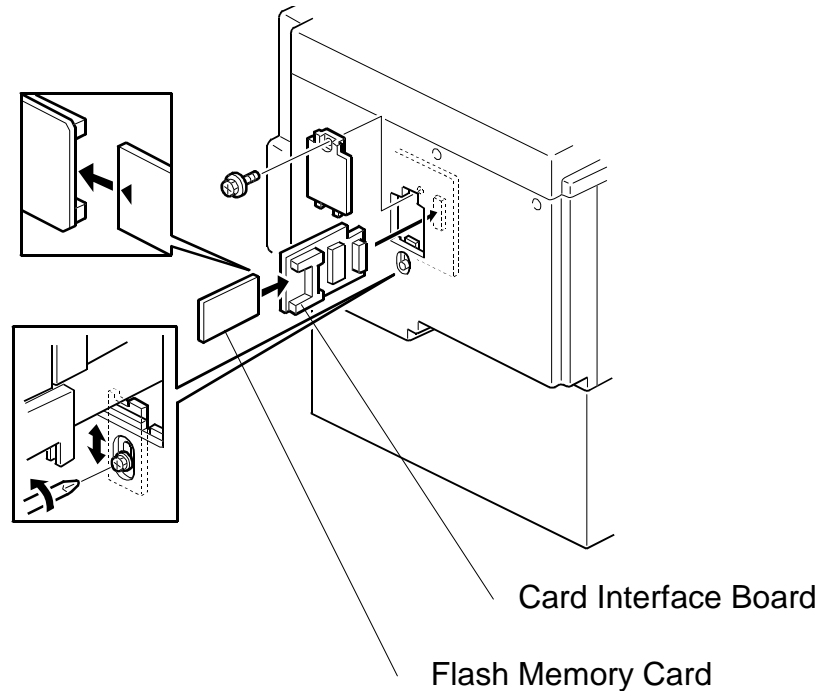
A Card Interface Board has been registered as a special part that is unique to the Pearl. It enables the use of a flash memory card as a method for updating firmware.

For details, refer to Technical Bulletin number 4.

Add the following information to your parts catalog:

New #	Description	Qty	Page	Index
C229 9020	Card Interface Board	1	99	*4
A230 9352	Flash Memory Card	1	99	*5

*: New index numbers



Model: PRIPORT PEARL**Date:** 15-Sep-99**No:** M-C229-02**CUT IN SERIAL NUMBERS**

Model Name	V/Hz	Destination	Code	Serial Number
Ricoh JP5000	120/60	USA, Canada	C229-17	-
Ges 5450, Rex 1560, Nsa CP450	230/50	Europe, etc.	C229-22	-
Ricoh JP5000	230/50	China	C229-26	-
Ricoh JP5000	230/50	Europe, etc.	C229-27	-
Ges 5450, Rex 1560, Nsa CP450	230/50	China	C229-28	-
Ricoh JP5000	230/50	Asia, etc.	C229-29	-
Ges 5450, Rex 1560, Nsa CP450, Savin 3350DNP	120/60	USA, Canada	C229-51	-

Model: PRIPORT PEARL		Date: 15-Sep-99	No: M-C229-03
Modified Article: Front and Rear Spring Brackets		Prepared by:	
From: Priport Service Planning Section		H. Kokubo	
Classification: <input type="checkbox"/> Parts catalog correction <input type="checkbox"/> Vendor change <input type="checkbox"/> To meet standards <input type="checkbox"/> To facilitate assembly <input type="checkbox"/> To improve reliability () <input type="checkbox"/> Part standardization <input checked="" type="checkbox"/> Other (To facilitate servicing)			
Model Name: Ricoh JP5000, Gestetner 5450, RexRotary 1560, nashuatec CP450, SVN 3350DNP			

To achieve better image quality, the factory setting for the printing pressure has been changed. To make it possible to increase the pressure even after changing the factory setting, the two brackets that hold the printing pressure springs at the front and rear have been changed.

For details, refer to Technical Bulletin number 3.

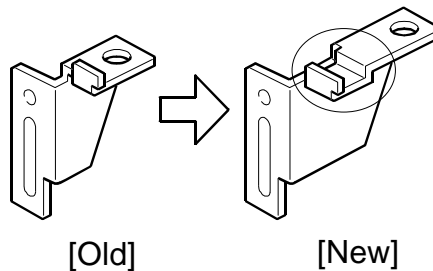
Revise your parts catalog as follows:

Old #	New #	Description	Qty	Int	Page	Index
C229 3270	C229 3275	Front Spring Bracket	1 - 1	X/X	41	4
C229 3271	C229 3276	Rear Spring Bracket	1 - 1	X/X	41	24

* The front and rear brackets are interchangeable ONLY in sets.

The shapes of the old and new brackets differ as shown below.

- The new bracket shape -



Model: PRIPORT PEARL**Date:** 15-Sep-99**No:** M-C229-03**CUT IN SERIAL NUMBERS**

Model Name	V/Hz	Destination	Code	Serial Number
Ricoh JP5000	120/60	USA, Canada	C229-17	C356 9050001
Ges 5450, Rex 1560, Nsa CP450	230/50	Europe, etc.	C229-22	AT2 9050001
Ricoh JP5000	230/50	China	C229-26	C356 9050001
Ricoh JP5000	230/50	Europe, etc.	C229-27	C356 9050001
Ges 5450, Rex 1560, Nsa CP450	230/50	China	C229-28	AT3 9050001
Ricoh JP5000	230/50	Asia, etc.	C229-29	C356 9050001
Ges 5450, Rex 1560, Nsa CP450, Savin 3350DNP	120/60	USA, Canada	C229-51	AT1 9050001

RICOH Modification Bulletin

Model: PRIPORT PEARL	Date: 15-Sep-99	No: M-C229-04
Modified Article: Anti-static Brush, etc.	Prepared by:	
From: Priport Service Planning Section	H. Kokubo	
Classification:	<input type="checkbox"/> Parts catalog correction <input type="checkbox"/> Vendor change <input type="checkbox"/> To meet standards <input type="checkbox"/> To facilitate assembly <input checked="" type="checkbox"/> To improve reliability () <input type="checkbox"/> Part standardization <input type="checkbox"/> Other ()	
Model Name:		
Ricoh JP5000, Gestetner 5450, RexRotary 1560, nashuatec CP450, SVN 3350DNP		

To ensure that the master is guided into the buffer duct, the 'Anti-static Brush - 310' and 'Master Guide Kit' have been added.

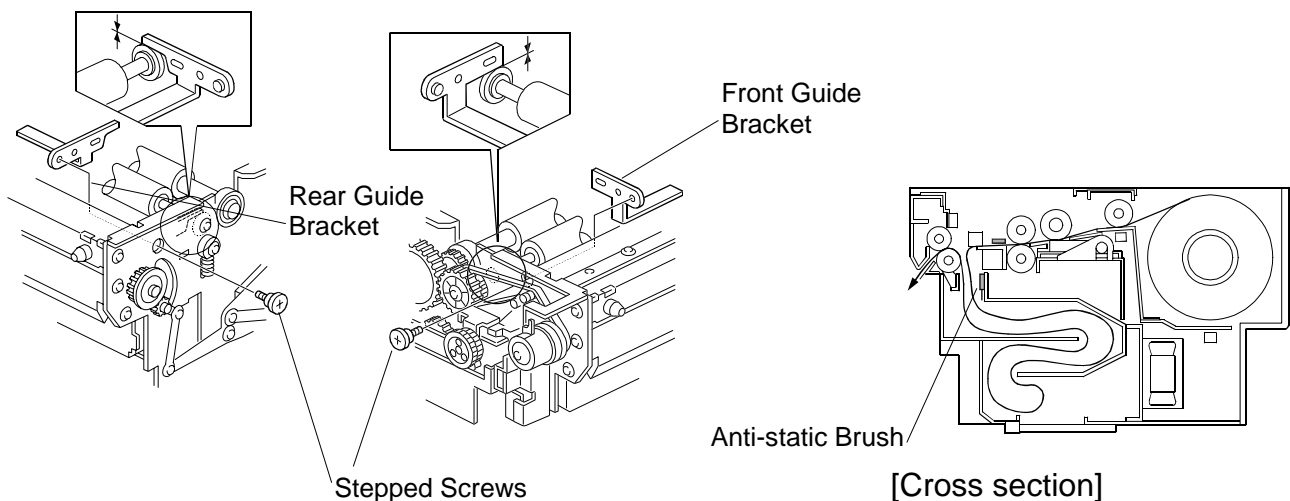
For details, refer to Technical Bulletin number 2.

- NOTE:** 1) We recommend that you install these two parts at the same time for the best effect.
- 2) The kit (#C2302175) is composed of the front guide bracket (#C2302176), rear guide bracket (#C2302177), and 2 stepped screws (2 x #C2302178).

Add the following information to your parts catalog:

New #	Description	Qty	Page	Index
C229 2071	Anti- static Brush - 310	1	75	*35
C230 2176	Front Guide Bracket	1	75	*36
C230 2177	Rear Guide Bracket	1	75	*37
C230 2178	Stepped Screw	2	75	*38
C230 2175	Master Guide Kit	1	75	*39

*: New index number



Model: PRIPORT PEARL	Date: 15-Sep-99	No: M-C229-04
-----------------------------	------------------------	----------------------

CUT IN SERIAL NUMBERS

Model Name	V/Hz	Destination	Code	Serial Number
Ricoh JP5000	120/60	USA, Canada	C229-17	C356 8120001
Ges 5450, Rex 1560, Nsa CP450	230/50	Europe, etc.	C229-22	AT2 8120001
Ricoh JP5000	230/50	China	C229-26	C356 8120001
Ricoh JP5000	230/50	Europe, etc.	C229-27	C356 8120001
Ges 5450, Rex 1560, Nsa CP450	230/50	China	C229-28	AT3 8120001
Ricoh JP5000	230/50	Asia, etc.	C229-29	C356 8120001
Ges 5450, Rex 1560, Nsa CP450, Savin 3350DNP	120/60	USA, Canada	C229-51	AT1 8120001

Model: PRIPORT PEARL/PEARL-MC		Date: 31-Mar-00	No: M-C229-5
Modified Article: Parts Catalog		Prepared by:	
From: Priport Service Planning Section		M. Ohtsubo	
Classification:	<input type="checkbox"/> Parts catalog correction	<input type="checkbox"/> Vendor change	<input type="checkbox"/> To meet standards
	<input type="checkbox"/> To facilitate assembly	<input type="checkbox"/> To improve reliability	()
	<input type="checkbox"/> Part standardization	<input checked="" type="checkbox"/> Other (New Version Machine Infomation)	
Model Name:			
Ricoh JP5000, Gestetner 5450, RexRotary 1560, nashuatec CP450, SVN 3350DNP			

Pearl-MC was released in March 2000 as the successor to Pearl.

The model names for Pearl-MC are the same as those for Pearl because there are no specification differences between the two models.

However, a new model code “ C233 “ has been assigned to Pearl-MC because there are some new mechanisms and some parts are not interchangeable with #C229 Pearl.

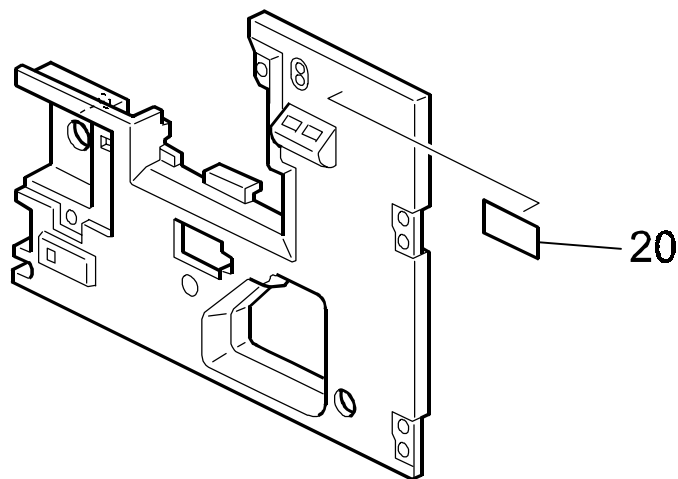
This bulletin is to inform you of all the unique parts for #C233 Pearl-MC.

Add the illustrations and lists on the following pages to the C229 parts catalog, to cover all the parts for #C233 Pearl-MC.

Model: PRIPORT PEARL/PEARL-MC	Date: 31-Mar-00	No: M-C229-5
--------------------------------------	------------------------	---------------------

Section: 1 EXTERIOR 1

Sec	Index	Parts No	Description	Q'ty	Page
1	10	C229 1341	Model Name Plate – GES 5450	1	11
1	10	C229 1342	Model Name Plate – Rex 1560	1	11
1	10	C229 1343	Model Name Plate – NSA CP450	1	11
1	10	C233 1345	Model Name Plate – SD400 STD	1	11
1	10	C229 1344	Model Name Plate – SVN 3350 DNP	1	11



Section: 2 EXTERIOR 2

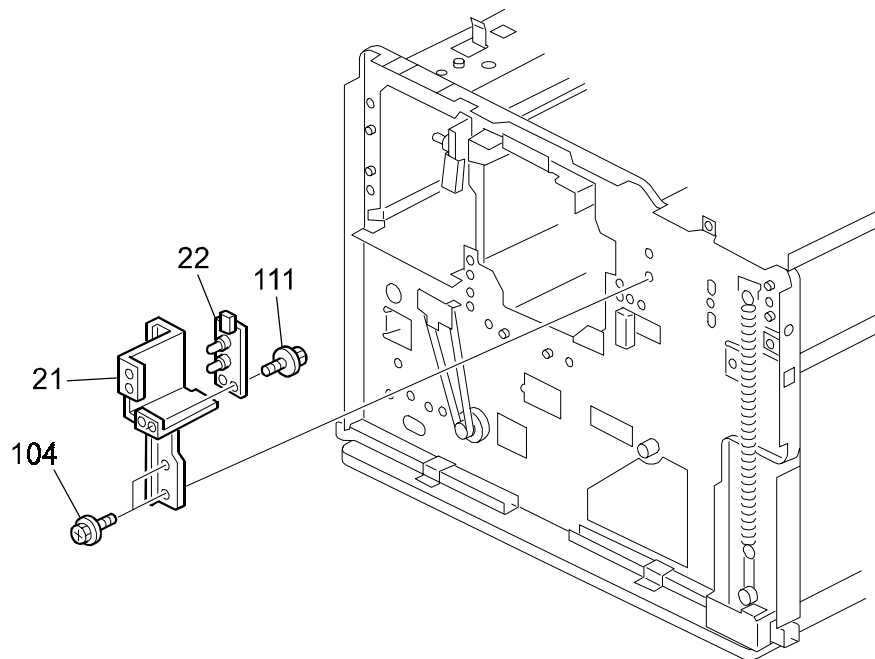
Sec	Index	Parts No	Description	Q'ty	Page
2	6	C233 1456	Operation Panel Ass'y – NA	1	13
2	6	C233 1457	Operation Panel Ass'y – EU	1	13
2	6	C233 1458	Operation Panel Ass'y – AA	1	13
2	6	C233 1459	Operation Panel Ass'y – CHN	1	13
2	*20	C233 1290	Decal – Caption LED	1	13
2	*20	C233 1291	Decal – Caption LED – CHN	1	13

*: New index numbers

Model: PRIPORT PEARL/PEARL-MC	Date: 31-Mar-00	No: M-C229-05
--------------------------------------	------------------------	----------------------

Section: 3 OPERATION PANEL

Sec	Index	Parts No	Description	Q'ty	Page
3	2	C229 1512	Online Sheet - NA	1	15
3	2	C229 1522	Online Sheet - CHN	1	15
3	2	C233 1512	Online Sheet - AA	1	15
3	2	C233 1515	Online Sheet - EU	1	15
3	11	C233 1486	Key top - Clear Modes	1	15
3	20	C232 5160	Operation Panel Board	1	15
3	-	C233 1456	Operation Panel Ass'y -NA	1	15
3	-	C233 1457	Operation Panel Ass'y - EU	1	15
3	-	C233 1458	Operation Panel Ass'y - AA	1	15
3	-	C233 1459	Operation Panel Ass'y - CHN	1	15



Section: 6 FRAME SECTION 2

Sec	Index	Parts No	Description	Q'ty	Page
6	*21	C233 5627	Bracket Circuit Board LED	1	21
6	*22	C233 5802	Circuit Board LED Ass'y	1	21
6	104	0451 4006B	Tapping Screw - 4x6	-	21
6	111	0451 3006B	Tapping screw - M3x6	-	21

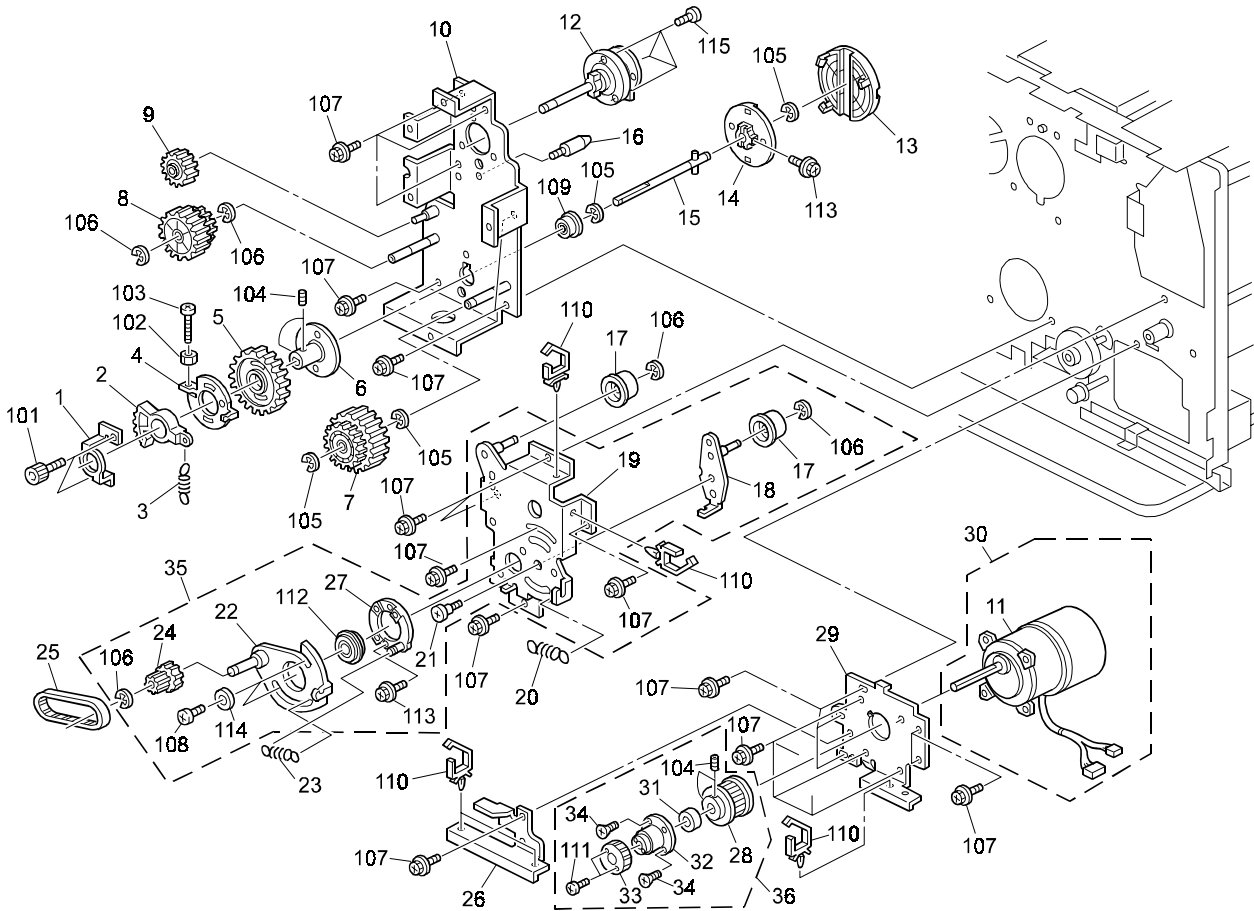
*: New index numbers



Model: PRIPORT PEARL/PEARL-MC

Date: 31-Mar-00

No: M-C229-05



NOTE: This section replaces all of the illustrations and parts in section 7. Therefore, some part numbers in the table below are also used in section 7 of the C229 parts catalog, but with different index numbers.

Section: 7 DRIVE SECTION 1

Sec	Index	Parts No	Description	Q'ty	Page
7	1	C229 3185	Gear Adjuster	1	23
7	2	C229 3183	Pressure Cylinder Sub Gear	1	23
7	3	C229 3186	Pressure Spring	1	23
7	4	C229 3184	Stopper Flange	1	23
7	5	C229 3182	Pressure Cylinder Gear	1	23
7	6	C229 3181	Adjusting Cam	1	23
7	7	C229 1198	Lower Timing Pulley - Cylinder Drive	1	23
7	8	C229 1140	Feed Roller Drive Gear	1	23
7	9	C207 4672	Gear - 36Z	1	23

Model: PRIPORT PEARL/PEARL-MC	Date: 31-Mar-00	No: M-C229-05
--------------------------------------	------------------------	----------------------

Sec	Index	Parts No	Description	Q'ty	Page
7	10	C229 1101	Drum Drive Support Plate	1	23
7	11	C229 5840	Main Motor Gear	1	23
7	12	C229 1090	Drum Drive Shaft	1	23
7	13	C233 3191	Joint Core	1	23
7	14	C229 3196	Joint Flange	1	23
7	15	C229 1028	Pressure Cylinder Drive Shaft	1	23
7	16	C229 1192	Drum Guide Pin	1	23
7	17	C229 1145	Belt Tension Roller	2	23
7	18	C229 1048	Tension Bracket	1	23
7	19	C229 1067	Tension Holder	1	23
7	20	C229 1143	Tension Spring	1	23
7	21	C201 5125	Stepped Screw - M6	1	23
7	***22	C229 1036	Drive Bracket	1	23
7	23	C229 1173	Dial Spring	1	23
7	24	C229 1151	Gear Pulley	1	23
7	25	C229 1154	Timing Belt	1	23
7	26	C229 1180	Harness Guide	1	23
7	***27	C229 1040	Bearing Holder	1	23
7	***28	C233 1074	Torque Limiter 55kgf□cm	1	23
7	***29	C229 1066	Main Motor Base	1	23
7	30	C229 5800	Main Motor - DC24V 100W	1	23
7	***31	C229 1064	Ball Bearing 68000ZZ	1	23
7	***32	C233 1079	Shielded Sleeve - torque Limiter	1	23
7	***33	C229 1039	Motor Gear	1	23
7	***34	C233 1065	Screw M3x4	1	23
7	***35	C233 1035	Torque Limiter Drive Ass'y	1	23
7	***36	C233 1036	Torque Limiter Ass'y	1	23
7	101	0595 0080E	Hexagon Bolt - M5x8	-	23
7	102	0710 0040B	Hexagon Nut - M4	-	23
7	103	0314 0160B	Philips Pan Head Screw - M4x16	-	23
7	***104	C229 1063	Hexagon Screw - M5x4	-	23
7	105	0720 0080E	Retaining Ring - M8	-	23
7	106	0720 0060E	Retaining Ring - M6	-	23
7	107	0451 4006B	Tapping Screw - 4x6	-	23

Model: PRIPORT PEARL/PEARL-MC	Date: 31-Mar-00	No: M-C229-5
--------------------------------------	------------------------	---------------------

Sec	Index	Parts No	Description	Q'ty	Page
7	***108	0951 4008B	Philips Screw With Washer - M4x8	-	23
7	109	0805 3205	Ball Bearing - 10x19x7mm	-	23
7	110	1105 0413	Harness Clamp	-	23
7	***111	0313 0120B	Philips Pan Head Screw - M3x12	-	23
7	***112	0805 3444	Ball Bearing - 25x37x7	-	23
7	113	0451 4008B	Philips Tapping Screw - M4x8	-	23
7	***114	0807 3033	Washer - M4.5	-	23

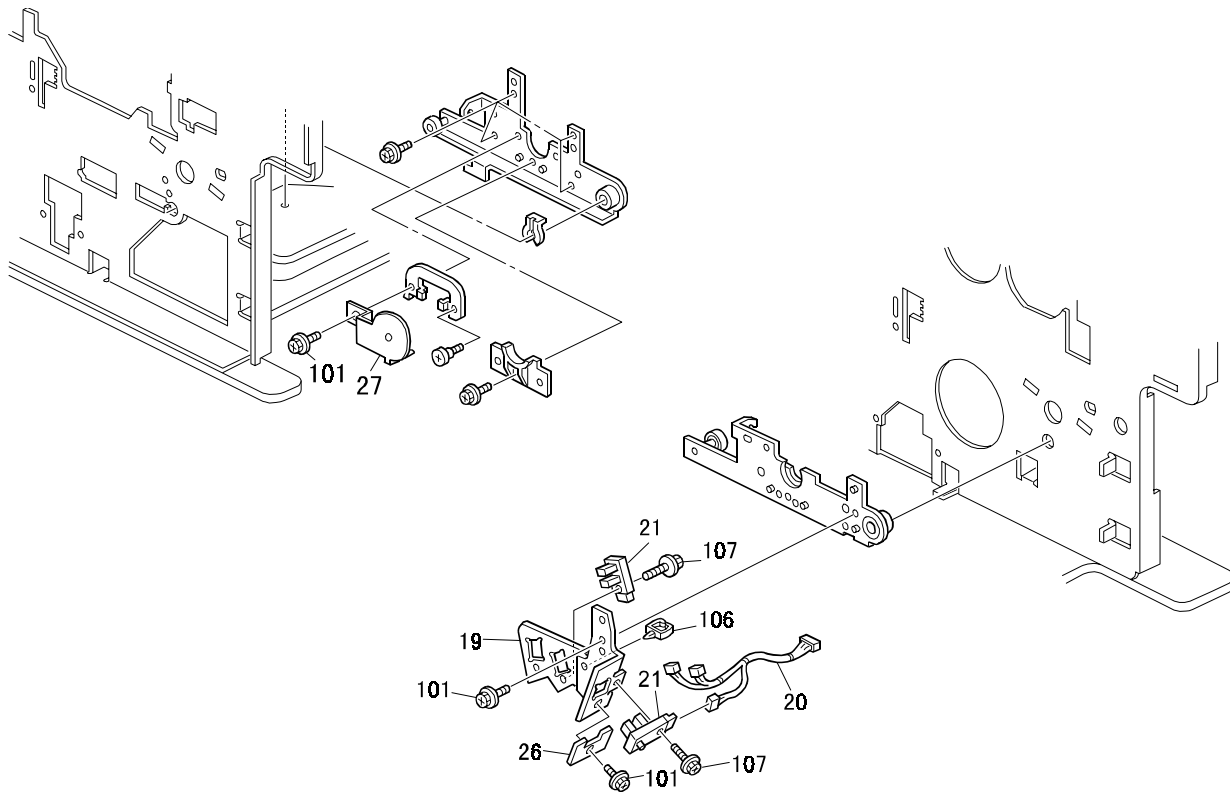
***: See note.

NOTE: Index numbers marked with *** are unique to the C233 model. All other items in this section are also used in section 7 of the C229 parts catalog with different index numbers.

Section: 15 PRESSURE CYLINDER 1

Sec	Index	Parts No	Description	Q'ty	Page
15	10	C233 3001	Pressure Cylinder Ass'y	1	39

Model: PRIPORT PEARL/PEARL-MC	Date: 31-Mar-00	No: M-C229-05
--------------------------------------	------------------------	----------------------



Section: 16 PRESSURE CYLINDER 2

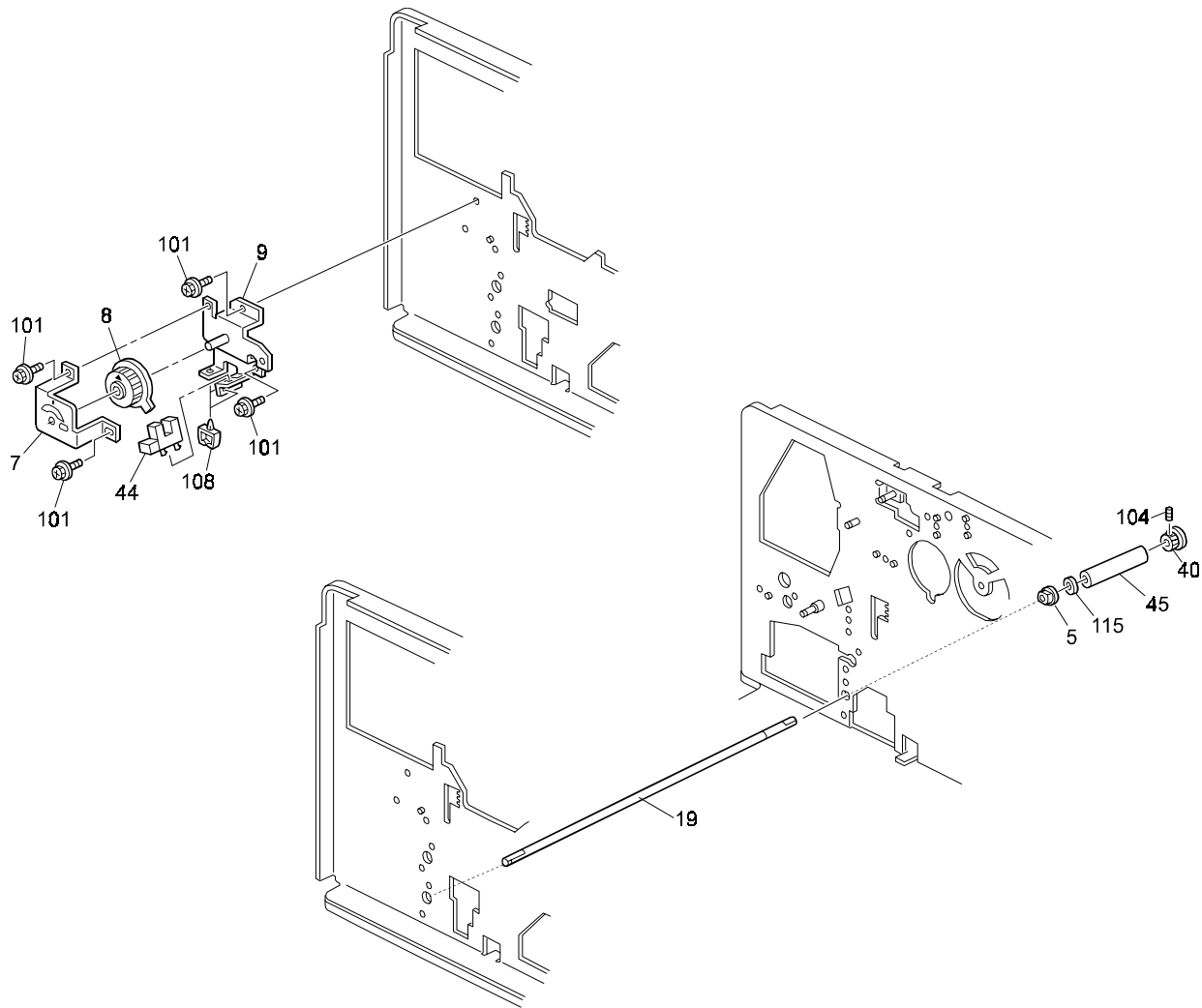
Sec	Index	Parts No	Description	Q'ty	Page
16	19	C232 3090	Feed Encoder Bracket	1	41
16	**20	C233 5226	Encoder Harness – Feed	1	41
16	21	5205 5250	LED Sensor Type S	2	41
16	*26	C232 3091	Feed Encoder Guide	1	41
16	*27	C233 3210	Pressure Cylinder Shaft Guide – Small	1	41
16	**101	0451 4006B	Tapping Screw – 4x6	-	41
16	106	1105 0199	Clamp	-	41
16	**107	0451 4010B	Tapping screw – 4x10	-	41

*: New index numbers

** : See note.

NOTE: Items marked with ** are also used in the C229 model, however they are used in new locations in the C233 model as shown in the illustration above.

Model: PRIPORT PEARL/PEARL-MC	Date: 31-Mar-00	No: M-C229-05
--------------------------------------	------------------------	----------------------



Section: 17 PRESSURE CYLINDER 3

Sec	Index	Parts No	Description	Q'ty	Page
17	5	5304 1639	Bushing – 8mm	2	43
17	7	C232 1170	Cover Dial Print	1	43
17	8	C232 1167	Pulley Ass'y	1	43
17	9	C232 1164	Bracket Dial Ass'y	1	43
17	19	C229 1043	Dial Shaft	1	43
17	40	C229 1155	Driven Shaft Gear	1	43

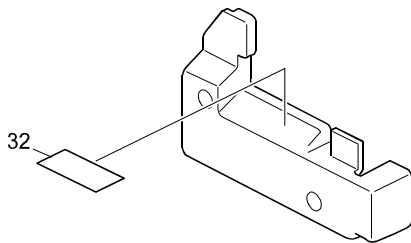
Model: PRIPORT PEARL/PEARL-MC	Date: 31-Mar-00	No: M-C229-05
--------------------------------------	------------------------	----------------------

Sec	Index	Parts No	Description	Q'ty	Page
17	*44	AW02 0075	Photointerrupter	1	43
17	*45	C229 1044	Spacer	1	43
17	101	0451 4006B	Tapping Screw – 4x6	-	43
17	104	0574 0050E	Hexagon Headless Set Screw – M4x5	-	43
17	108	1105 0199	Clamp	-	43
17	*115	0807 5037	Washer – 8.1mm	-	43

*: New index numbers

Section: 18 PAPER EXIT SECTION 1

Sec	Index	Parts No	Description	Q'ty	Page
18	13	C233 3856	Discharge Brush	1	45



Section: 23 DRUM UNIT 1

Sec	Index	Parts No	Description	Q'ty	Page
23	*32	C233 1295	Decal – Ink Supply	1	55

*: New index numbers

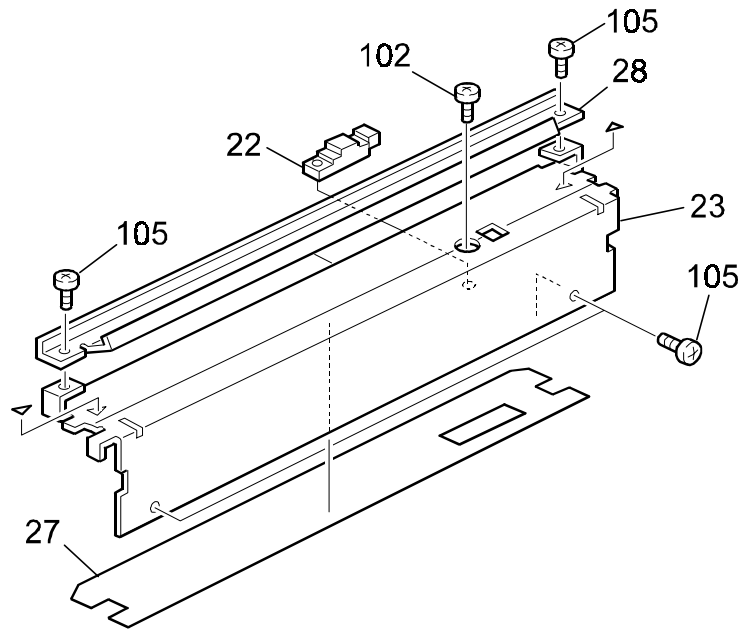
Section: 28 SCANNER UNIT 1

Sec	Index	Parts No	Description	Q'ty	Page
28	18	C232 5280	Harness – SBU	1	65

Model: PRIPORT PEARL/PEARL-MC	Date: 31-Mar-00	No: M-C229-05
--------------------------------------	------------------------	----------------------

Section: 30 PLOTTER UNIT 1

Sec	Index	Parts No	Description	Q'ty	Page
30	16	C232 1982	Potter Rear Cover	1	69
30	17	C232 2170	Rear Guide Pin – Operation	1	69
30	23	C232 2191	Pressure Spring	1	69



Section: 31 PLOTTER UNIT 2

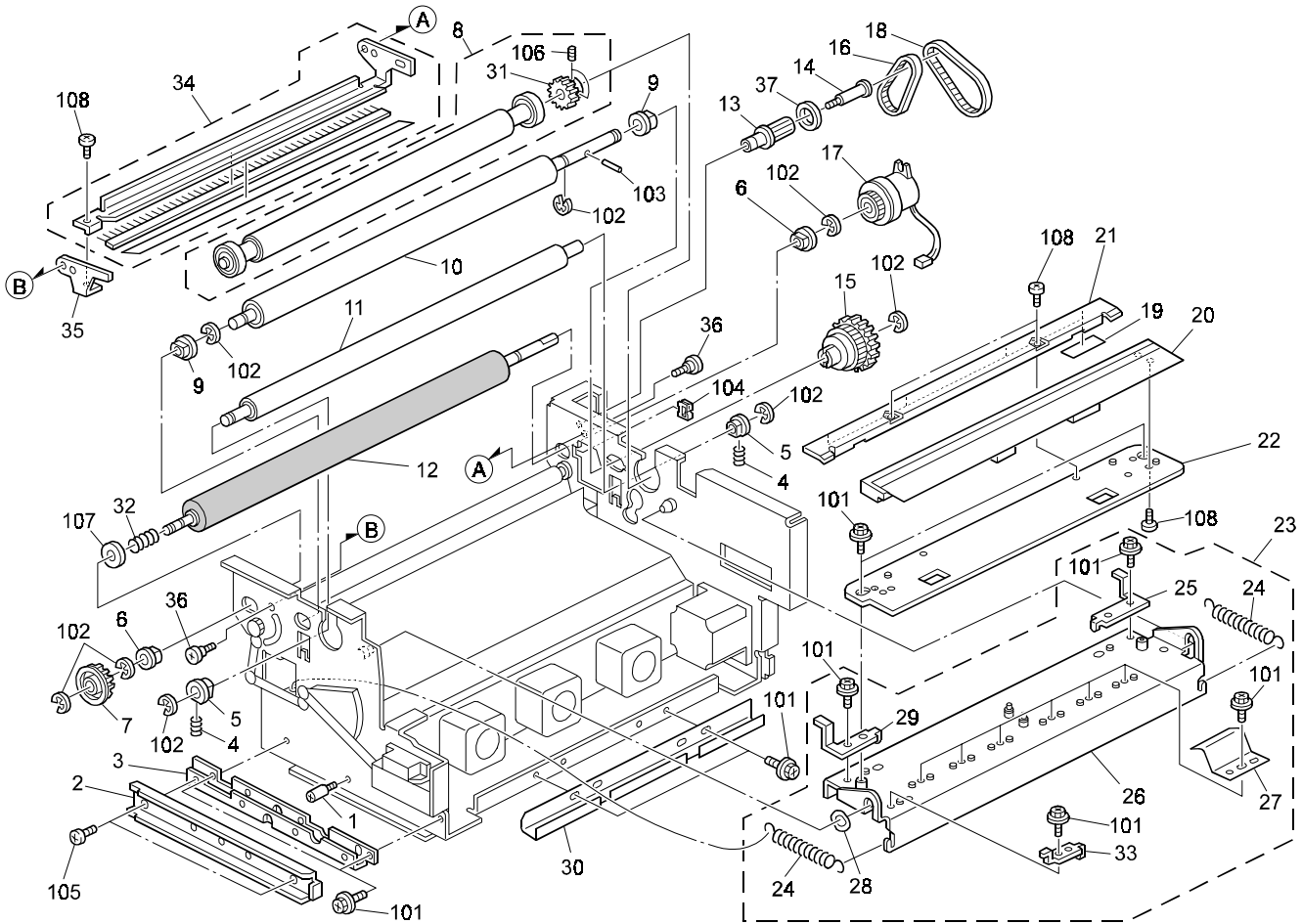
Sec	Index	Parts No	Description	Q'ty	Page
31	**22	C229 5807	Photosensor – GP2A25	1	71
31	23	C232 2135	Lower Guide Plate	1	71
31	*27	C232 2137	Master Guide	1	71
31	*28	C232 2138	Upper Guide – Master	1	71
31	**102	0353 0060B	Philips Pan Head Screw – M3x6	-	71
31	**105	0353 0040B	Screw – M3x4	-	71

*: New index numbers

** : See note.

NOTE: Items marked with ** are also used in the C229 model, however they are used in new locations in the C233 model as shown in the illustration above.

Model: PRIPORT PEARL/PEARL-MC	Date: 31-Mar-00	No: M-C229-05
--------------------------------------	------------------------	----------------------



NOTE: This section replaces all of the illustrations and parts in section 32. Therefore, some part numbers in the table below are also used in section 32 of the C229 parts catalog, but with different index numbers.

Section: 32 PLOTTER UNIT 3

Sec	Index	Parts No	Description	Q'ty	Page
32	1	C229 1994	Middle Rail Stopper Ass'y	1	73
32	2	C229 1995	Slide Rail	1	73
32	3	C229 1993	Slide Rail Spacer	1	73
32	4	C229 2004	Pressure Spring	2	73
32	***5	C229 2006	Bushing	2	73
32	6	H053 1600	Bushing - 6mm	2	73
32	7	C229 2025	Gear - 23Z	1	73
32	***8	C232 2080	Platen Roller Ass'y	1	73

Model: PRIPORT PEARL/PEARL-MC	Date: 31-Mar-00	No: M-C229-05
--------------------------------------	------------------------	----------------------

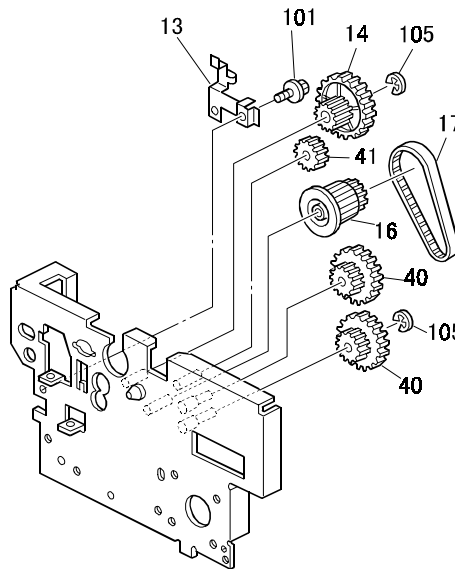
Sec	Index	Parts No	Description	Q'ty	Page
32	9	H012 1181	Bushing- 6mm	2	73
32	10	C229 2002	Upper Tension Roller	1	73
32	***11	C232 2003	Lower Tension Roller	1	73
32	***12	C232 2008	Upper Reverse Roller	1	73
32	***13	C232 2017	Idle Pulley	1	73
32	14	C229 2016	Stepped Screw	1	73
32	***15	C229 2019	Torque Limiter Gear	1	73
32	***16	C232 2019	Timing Belt - B40S2M112	1	73
32	17	C229 5810	Magnetic Clutch	1	73
32	***18	C232 2018	Timing Belt - B40S2M134	1	73
32	19	C229 2122	Right Roller Guide	4	73
32	***20	C233 5180	Thermal Head - A3	1	73
32	***21	C232 2119	Front Left Guide	1	73
32	***22	C232 2120	Spacer	1	73
32	***23	C232 2085	Thermal Head Base	1	73
32	***24	C232 2095	Torsion Spring	2	73
32	***25	C232 2097	Right Rear Release Plate	1	73
32	***26	C232 2087	Thermal Head Stay	1	73
32	***27	C232 2094	Spring Plate	6	73
32	28	C218 4038	Bushing Washer - M8	1	73
32	***29	C232 2096	Front Left Release Plate	1	73
32	30	C229 2249	Grounding Plate	1	73
32	31	C229 2082	Platen Roller Gear	1	73
32	32	C229 2010	Pressure Spring	1	73
32	***33	C232 2098	Base Stopper Bracket	1	73
32	***34	C232 2126	Guide Plate - Rear Left	1	73
32	***35	C232 2125	Guide Plate - Front Left	1	73
32	***36	C230 2178	Stepped Screw	2	73
32	***37	C232 2016	Spacer	1	73
32	101	0451 3006B	Tapping Screw – M3x6	-	73
32	102	0720 0040E	Retaining Ring – M4	-	73
32	103	0622 0100E	Spring Pin – 2x10mm	-	73
32	104	1105 0113	Edge – P108	-	73
32	105	0353 0060Z	Screw – M3X6	-	73

Model: PRIPORT PEARL/PEARL-MC	Date: 31-Mar-00	No: M-C229-05
--------------------------------------	------------------------	----------------------

Sec	Index	Parts No	Description	Q'ty	Page
32	106	0574 0040E	Hexagon Headless Set Screw – M4x4	-	73
32	107	0701 0060Z	Flat Washer – M6	-	73
32	***108	0353 0040B	Screw – M3X4	-	73

***: See note.

NOTE: Index numbers marked with *** are unique to the C233 model. All other items in this section are also used in section 32 of the C229 parts catalog but with different index numbers.



Section: 33 PLOTTER UNIT 4

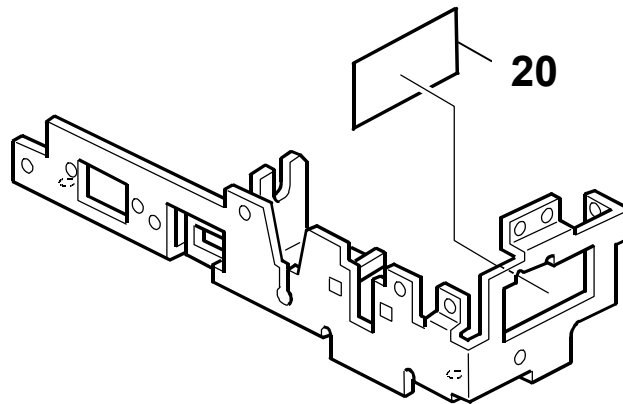
Sec	Index	Parts No	Description	Q'ty	Page
33	6	C232 5248	Plotter Harness	1	75
33	13	C229 2254	Harness Cover	1	75
33	14	C232 2022	Platen Idle Gear	1	75
33	16	C232 2021	Motor Pulley	1	75
33	17	C232 2222	Timing Belt – B101MXL9.5	1	75
33	18	C232 1961	Rear Side Plate	1	75
33	28	C232 1951	Front Side Plate	1	75
33	*40	C232 2023	Gear – 17/34Z	2	75
33	*41	C232 2024	Gear – 16Z	1	75
33	101	0451 3006B	Tapping Screw – M3x6	-	75
33	105	0720 0040E	Retaining Ring – M4	-	75

*: New index numbers

Model: PRIPORT PEARL/PEARL-MC	Date: 31-Mar-00	No: M-C229-05
--------------------------------------	------------------------	----------------------

Section: 37 ELECTRICAL SECTION 1

Sec	Index	Parts No	Description	Q'ty	Page
37	2	C232 5618	Upper Bracket	1	83
37	3	C233 5114	Program MPU	1	83
37	4	C232 5616	PCB Bracket	1	83
37	6	C233 5101	MPU Board	1	83
37	7	C232 5115	I/O Control Board	1	83
37	9	C232 5124	IC - 512K X8 100NS	1	83
37	10	C232 5200	DC Drive Harness	1	83
37	12	C232 5300	DC Power Supply Unit - 120V	1	83
37	12	C232 5320	DC Power Supply - 220V	1	83
37	17	C232 5310	Thermal Head Power Supply - 115V	1	83
37	17	C232 5330	Thermal Head Power Supply - 230V	1	83



Section: 38 ELECTRICAL SECTION 2

Sec	Index	Parts No	Description	Q'ty	Page
38	*20	C232 5610	Seal	1	85

*: New index numbers

Model: PRIPORT PEARL/PEARL-MC**Date:** 31-Mar-00**No:** M-C229-05**Section: 42 DECAL AND DOCUMENT**

Sec	Index	Parts No	Description	Q'ty	Page
42	5	C229 8606	Operating Instructions – Chinese (Ricoh)	1	97
42	5	C229 8696	Operating Instructions – Chinese (NRG)	1	97
42	5	C233 8690	Operating Instructions – English EU (NRG)	1	97
42	5	C233 8608	Operating Instructions – English AA (RIC)	1	97
42	5	C233 8607	Operating Instructions – English UAS (RIC)	1	97
42	5	C233 8697	Operating Instructions – English USA (Gestetner/Savin)	1	97
42	5	C233 8698	Operating Instructions – English USA (Standard)	1	97

Model: PRIPORT PEARL/PEARL-MC	Date: 31-Mar-00	No: M-C229-05
--------------------------------------	------------------------	----------------------

CUT IN SERIAL NUMBERS (START SERIAL NUMBERS)

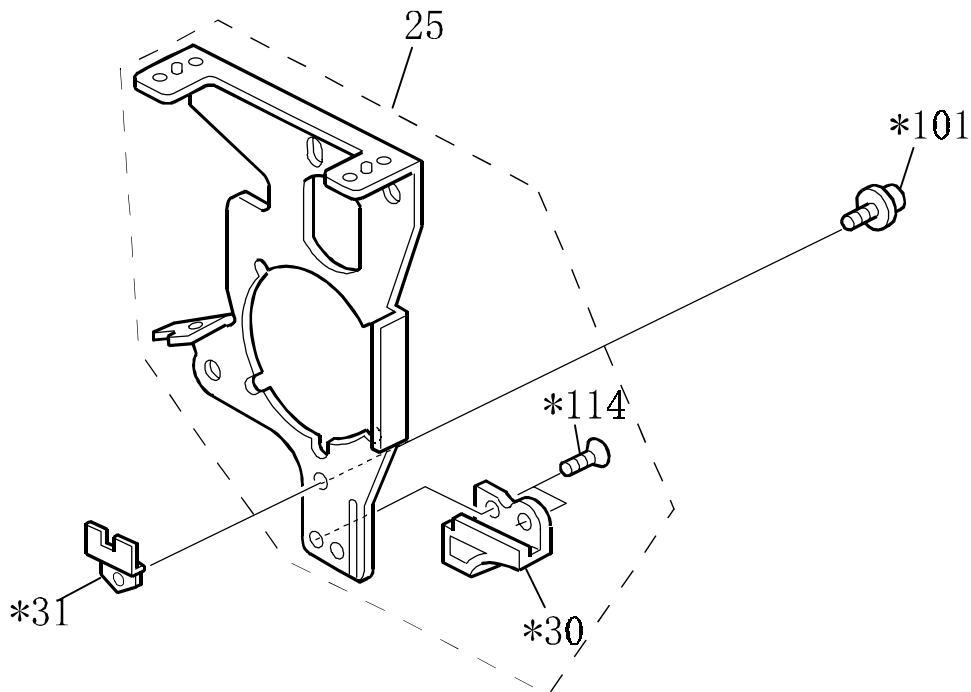
Model Name	V/Hz	Destination	Code	Serial Number
Standard SD400	120/60	USA, Canada	C233-11	C385 0030001
Ricoh JP5000	120/60	USA, Canada	C233-17	C376 0030001
Ges 5450, Rex 1560, Nsa CP450	230/50	Europe, etc.	C233-22	C378 0030001
Ricoh JP5000	230/50	China	C233-26	C376 0043xxx *No production yet
Ricoh JP5000	230/50	Europe, etc.	C233-27	C376 0036001
Ges 5450, Rex 1560, Nsa CP450	230/50	China	C233-28	C379 0030003
Ricoh JP5000	230/50	Asia, etc.	C233-29	C376 0039001
Ges 5450, Rex 1560, Nsa CP450, Savin 3350DNP	120/60	USA, Canada	C233-51	C377 0030001
Ricoh JP5000	120/60	USA, Canada	C229-17	Discontinued in February 2000
Ges 5450, Rex 1560, Nsa CP450	230/50	Europe, etc.	C229-22	Discontinued in February 2000
Ricoh JP5000	230/50	China	C229-26	Discontinued in February 2000
Ricoh JP5000	230/50	Europe, etc.	C229-27	Discontinued in February 2000
Ges 5450, Rex 1560, Nsa CP450	230/50	China	C229-28	Discontinued in February 2000
Ricoh JP5000	230/50	Asia, etc.	C229-29	Discontinued in February 2000
Ges 5450, Rex 1560, Nsa CP450, Savin 3350DNP	120/60	USA, Canada	C229-51	Discontinued in February 2000

Model: PRIPORT PEARL/PEARL-MC		Date: 11-Jul-00	No: M-C229-006
Modified Article: Drum Rear Frame		Prepared by:	
From: Priport Service Planning Section		H. Onodera	
Classification: <input type="checkbox"/> Parts catalog correction <input type="checkbox"/> Vendor change <input type="checkbox"/> To meet standards <input type="checkbox"/> To facilitate assembly <input checked="" type="checkbox"/> To improve reliability () <input type="checkbox"/> Part standardization <input type="checkbox"/> Other ()			
Model Name: Ricoh JP5000, Gestetner 5450, RexRotary 1560, nashuatec CP450, Savin 3350DNP, Standard SD400			

To prevent the drum rear frame from being damaged (when the drum unit is put on a floor from the rear side), a shock absorber has been added to the lower part of the drum rear frame.

Old part number	New part number	Description	Q'ty	Int	Page	Index	Note
C2292440	C2292441	Rear Drum Frame	1	X/O as a set	55	25	
	C2292644	Rear Drum Frame Aux.	1		55	*31	
	09514006Z	Philips Screw with Flat Washer - M4	1		55	*101	
-	C2292645	Rear Drum Frame Stand	1		55	*30	
-	03230060Z	Philips Sunk Screw - M3X6	2		55	*114	

*: New index



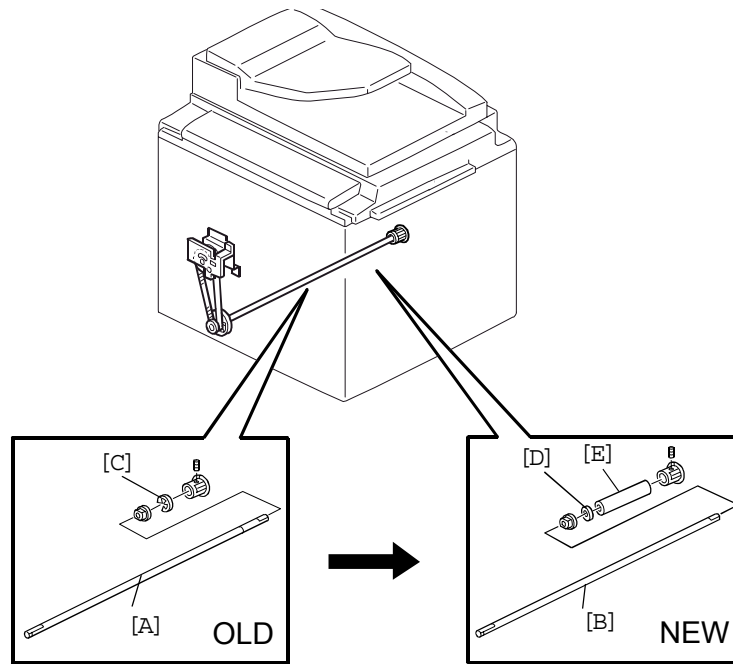
CUT IN SERIAL NUMBERS

Model Name	V/Hz	Destination	Code	Serial Number
Standard SD400	120/60	USA, Canada	C233-11	From first production
Ricoh JP5000	120/60	USA, Canada	C233-17	From first production
Ges 5450, Rex 1560, Nsa CP450	230/50	Europe, etc.	C233-22	From first production
Ricoh JP5000	230/50	China	C233-26	From first production
Ricoh JP5000	230/50	Europe, etc.	C233-27	From first production
Ges 5450, Rex 1560, Nsa CP450	230/50	China	C233-28	From first production
Ricoh JP5000	230/50	Asia, etc.	C233-29	From first production
Ges 5450, Rex 1560, Nsa CP450, Savin 3350DNP	120/60	USA, Canada	C233-51	From first production
Ricoh JP5000	120/60	USA, Canada	C229-17	C3568120001
Ges 5450, Rex 1560, Nsa CP450	230/50	Europe, etc.	C229-22	AT28120001
Ricoh JP5000	230/50	China	C229-26	C3569040027
Ricoh JP5000	230/50	Europe, etc.	C229-27	C3568120104
Ges 5450, Rex 1560, Nsa CP450	230/50	China	C229-28	AT39120001
Ricoh JP5000	230/50	Asia, etc.	C229-29	C3568120187
Ges 5450, Rex 1560, Nsa CP450, Savin 3350DNP	120/60	USA, Canada	C229-51	AT18120001

Model: PRIPORT PEARL/PEARL-MC		Date: 06-Sep-00	No: M-C229-007
Modified Article: Dial Shaft		Prepared by:	
From: Priport Service Planning Section		M. Ohtsubo	
Classification: <input type="checkbox"/> Parts catalog correction <input type="checkbox"/> Vendor change <input type="checkbox"/> To meet standards <input type="checkbox"/> To facilitate assembly <input checked="" type="checkbox"/> To improve reliability () <input type="checkbox"/> Part standardization <input type="checkbox"/> Other ()			
Model Name: Ricoh JP5000, Gestetner 5450, RexRotary 1560, nashuatec CP450, Savin 3350DNP, Standard SD400			

The manual rotation knob shaft for the pressure cylinder has been changed to increase its durability.

At the same time, some related parts have also been changed as shown below.



Old Dial Shaft [A], New Dial Shaft [B], Retaining Ring [C], Washer [D], Spacer [E]

Old #	New #	Description	Qty	Int	Page	Index	Note
C229 1156	C2291043	Dial shaft	1	X/O as a set	43	19	
	0807 5037	Washer	1		43	115	
	C229 1044	Spacer	1		43	45	
07200060E		Retaining Ring	1→0		43	102	

Note: The dial shaft, washer and spacer are only interchangeable as a set.

Model: PRIPORT PEARL/PEARL-MC

Date: 06-Sep-00

No: M-C229-007

CUT IN SERIAL NUMBERS

Model Name	V/Hz	Destination	Code	Serial Number
Standard SD400	120/60	USA, Canada	C233-11	C385 0030001 (From first mass-production)
Ricoh JP5000	120/60	USA, Canada	C233-17	C376 0030001 (From first mass-production)
Ges 5450, Rex 1560, Nsa CP450	230/50	Europe, etc.	C233-22	C378 0030001 (From first mass-production)
Ricoh JP5000	230/50	China	C233-26	No production yet
Ricoh JP5000	230/50	Europe, etc.	C233-27	C376 0036001 (From first mass-production)
Ges 5450, Rex 1560, Nsa CP450	230/50	China	C233-28	C379 0030001 (From first mass-production)
Ricoh JP5000	230/50	Asia, etc.	C233-29	C376 0039001 (From first mass-production)
Ges 5450, Rex 1560, Nsa CP450, Savin 3350DNP	120/60	USA, Canada	C233-51	C377 0030001 (From first mass-production)
Ricoh JP5000	120/60	USA, Canada	C229-17	Discontinued in February 2000
Ges 5450, Rex 1560, Nsa CP450	230/50	Europe, etc.	C229-22	Discontinued in February 2000
Ricoh JP5000	230/50	China	C229-26	Discontinued in February 2000
Ricoh JP5000	230/50	Europe, etc.	C229-27	Discontinued in February 2000
Ges 5450, Rex 1560, Nsa CP450	230/50	China	C229-28	Discontinued in February 2000
Ricoh JP5000	230/50	Asia, etc.	C229-29	Discontinued in February 2000
Ges 5450, Rex 1560, Nsa CP450, Savin 3350DNP	120/60	USA, Canada	C229-51	Discontinued in February 2000

Reissued: 27-Sep-00

Model: PRIPORT PEARL/PEARL-MC	Date: 31-Mar-00	No: M-C229-5a
--------------------------------------	------------------------	----------------------

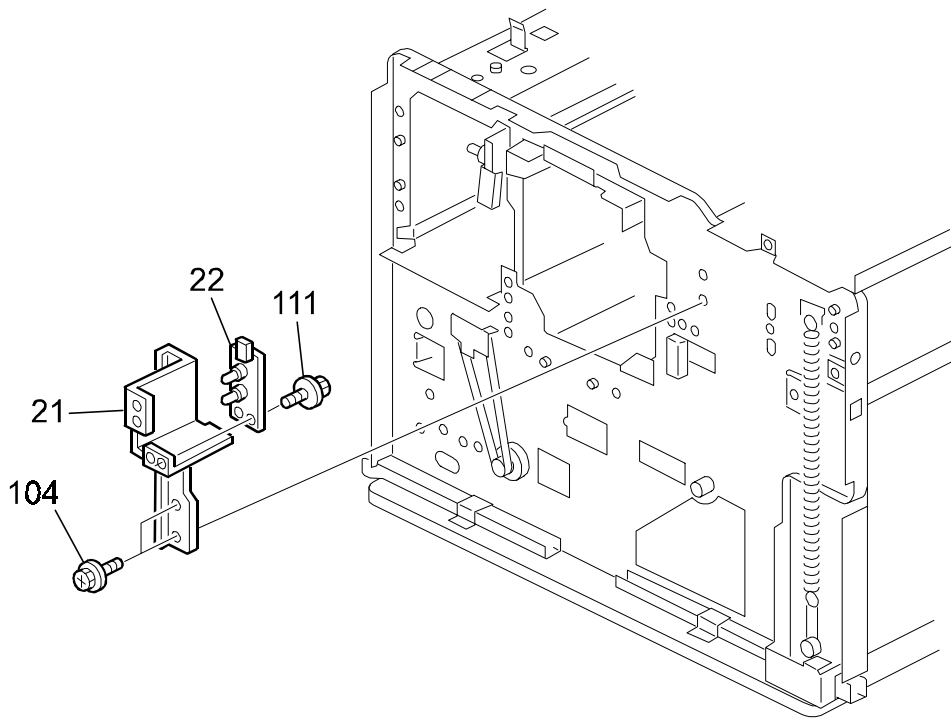
PART NUMBER UPDATE

There was an incorrect part number on page 3/16 of MB number M-C229-05 that was originally issued on May 31.

This revised bulletin updates the incorrect part number.

Modified Article: Parts Catalog		Prepared by:	
From: Priport Service Planning Section		M. Ohtsubo	
Classification:	<input type="checkbox"/> Parts catalog correction	<input type="checkbox"/> Vendor change	<input type="checkbox"/> To meet standards
	<input type="checkbox"/> To facilitate assembly	<input type="checkbox"/> To improve reliability	()
	<input type="checkbox"/> Part standardization	<input checked="" type="checkbox"/> Other (MB correction)	
Model Name:			
Ricoh JP5000, Gestetner 5450, RexRotary 1560, nashuatec CP450, Savin 3350DNP, Standard SD400			

Correct the part number for item 22 on page 3/16 of the original MB number M-C229-05 as follows.



Incorrect	Correct	Description	Qty	Int	Page	Index	Note
C2335802	C2325802	Circuit Board LED Ass'y	1	-	-	22	-

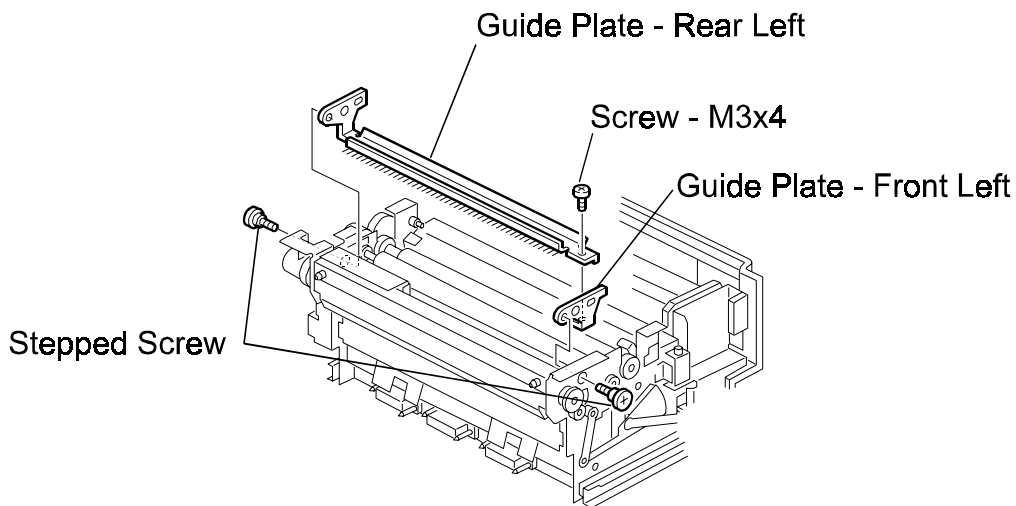
Model: PRIPORT PEARL/PEARL-MC		Date: 09-Feb-01	No: M-C229-008
Modified Article: Front and Rear Master Guide Plate		Prepared by:	
From: Priport Service Planning Section		M. Ohtsubo	
Classification: <input type="checkbox"/> Parts catalog correction <input type="checkbox"/> Vendor change <input type="checkbox"/> To meet standards <input type="checkbox"/> To facilitate assembly <input checked="" type="checkbox"/> To improve reliability () <input type="checkbox"/> Part standardization <input type="checkbox"/> Other ()			
Model Name: Ricoh JP5000, Gestetner 5450, RexRotary 1560, nashuatec CP450, Savin 3350DNP, Standard SD400			

To ensure that the master is guided into the buffer duct, a new anti-static brush has been added. At the same time, the front and rear master guide plates have been changed as follows.

Old #	New #	Description	Qty	Int	Page	Index
C2302176	C2322125	Guide plate - rear left	1	X/X	75	36
C2302177	C2322126	Guide plate - front left	1		75	37
-	03530040B	Screw - M3x4	1		75	40*

* New index number

- NOTE:** 1) The front and rear guide plate and the screw are only interchangeable as a set.
 2) The new rear left guide plate includes the anti-static brush.



Stepped screw: Index 38, C2302178

Model: PRIPORT PEARL/PEARL-MC

Date: 09-Feb-01

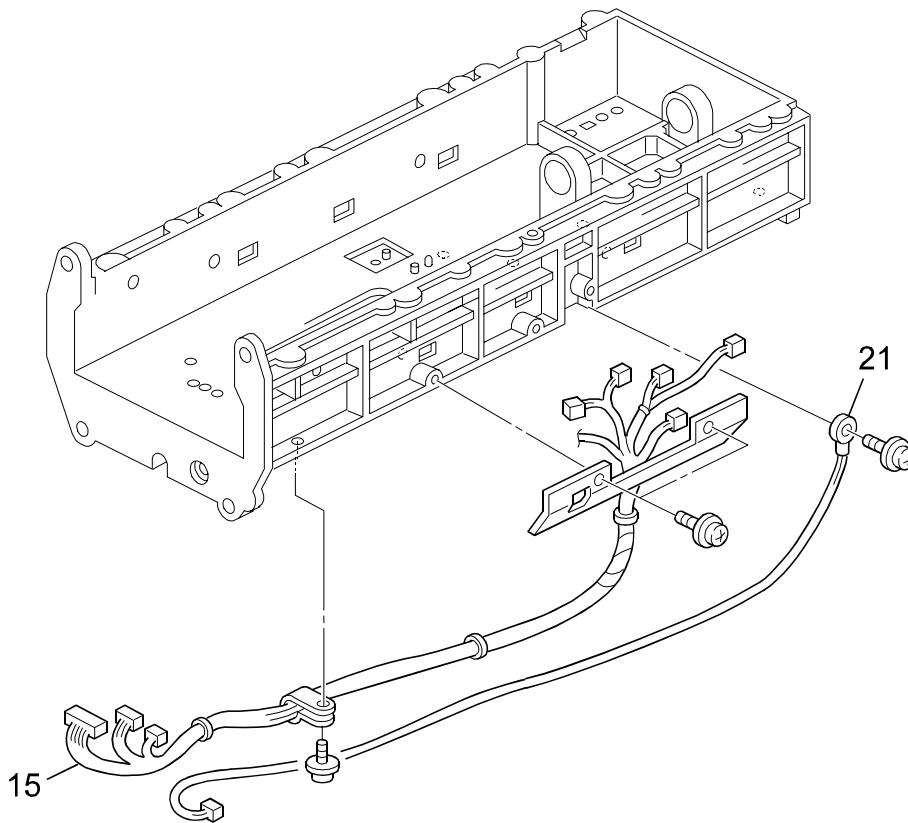
No: M-C229-008

CUT IN SERIAL NUMBERS

Model Name	V/Hz	Destination	Code	Serial Number
Standard SD400	120/60	USA, Canada	C233-11	From first mass-production
Ricoh JP5000	120/60	USA, Canada	C233-17	From first mass-production
Ges 5450, Rex 1560, Nsa CP450	230/50	Europe, etc.	C233-22	From first mass-production
Ricoh JP5000	230/50	China	C233-26	From first mass-production
Ricoh JP5000	230/50	Europe, etc.	C233-27	From first mass-production
Ges 5450, Rex 1560, Nsa CP450	230/50	China	C233-28	From first mass-production
Ricoh JP5000	230/50	Asia, etc.	C233-29	From first mass-production
Ges 5450, Rex 1560, Nsa CP450, Savin 3350DNP	120/60	USA, Canada	C233-51	From first mass-production
Ricoh JP5000	120/60	USA, Canada	C229-17	Discontinued in February 2000
Ges 5450, Rex 1560, Nsa CP450	230/50	Europe, etc.	C229-22	Discontinued in February 2000
Ricoh JP5000	230/50	China	C229-26	Discontinued in February 2000
Ricoh JP5000	230/50	Europe, etc.	C229-27	Discontinued in February 2000
Ges 5450, Rex 1560, Nsa CP450	230/50	China	C229-28	Discontinued in February 2000
Ricoh JP5000	230/50	Asia, etc.	C229-29	Discontinued in February 2000
Ges 5450, Rex 1560, Nsa CP450, Savin 3350DNP	120/60	USA, Canada	C229-51	Discontinued in February 2000

Model: PRIPORT PEARL/PEARL-MC	Date: 22-Feb-01	No: M-C229-009
Modified Article: Parts Catalog Correction	Prepared by:	
From: Priport Service Planning Section	M. Ohtsubo	
Classification:	<input checked="" type="checkbox"/> Parts catalog correction <input type="checkbox"/> Vendor change <input type="checkbox"/> To meet standards <input type="checkbox"/> To facilitate assembly <input type="checkbox"/> To improve reliability () <input type="checkbox"/> Part standardization <input type="checkbox"/> Other ()	
Model Name:		
Ricoh JP5000, Gestetner 5450, RexRotary 1560, nashuatec CP450, Savin 3350DNP, Standard SD400		

There were some parts missing from the parts catalog. Please add the following parts to your parts catalog.



New #	Description	Qty	Page	Index
C2295214	Drum Harness	1	60	15
AW100022	Optics Thermistor (Drum Thermistor)	1	60	21*

* New Index number

Model: PRIPORT PEARL/PEARL-MC

Date: 22-Feb-01

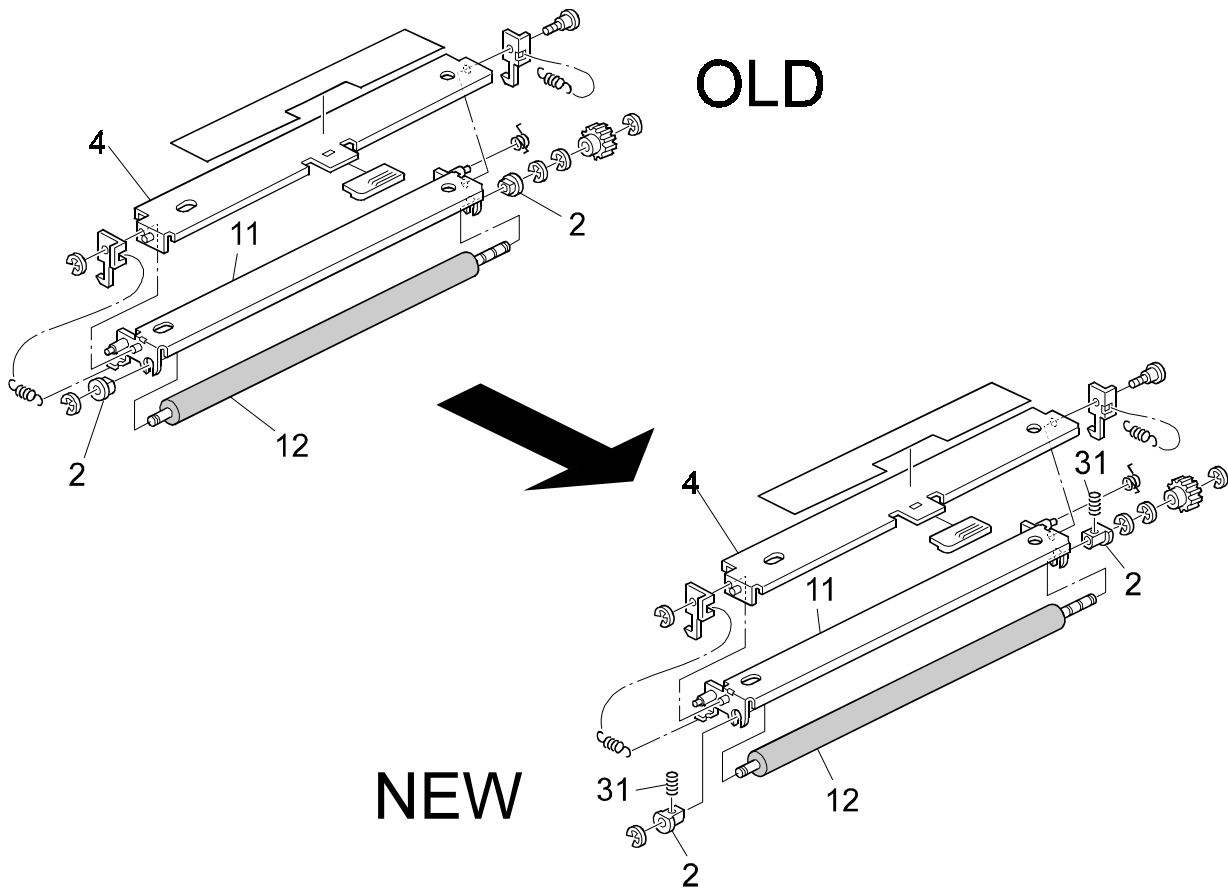
No: M-C229-009

CUT IN SERIAL NUMBERS

Model Name	V/Hz	Destination	Code	Serial Number
Standard SD400	120/60	USA, Canada	C233-11	-
Ricoh JP5000	120/60	USA, Canada	C233-17	-
Ges 5450, Rex 1560, Nsa CP450	230/50	Europe, etc.	C233-22	-
Ricoh JP5000	230/50	China	C233-26	-
Ricoh JP5000	230/50	Europe, etc.	C233-27	-
Ges 5450, Rex 1560, Nsa CP450	230/50	China	C233-28	-
Ricoh JP5000	230/50	Asia, etc.	C233-29	-
Ges 5450, Rex 1560, Nsa CP450, Savin 3350DNP	120/60	USA, Canada	C233-51	-
Ricoh JP5000	120/60	USA, Canada	C229-17	-
Ges 5450, Rex 1560, Nsa CP450	230/50	Europe, etc.	C229-22	-
Ricoh JP5000	230/50	China	C229-26	-
Ricoh JP5000	230/50	Europe, etc.	C229-27	-
Ges 5450, Rex 1560, Nsa CP450	230/50	China	C229-28	-
Ricoh JP5000	230/50	Asia, etc.	C229-29	-
Ges 5450, Rex 1560, Nsa CP450, Savin 3350DNP	120/60	USA, Canada	C229-51	-

Model: PRIPORT PEARL/PEARL-MC	Date: 08-Mar-01	No: M-C229-010
Modified Article: To ensure smooth master feed	Prepared by:	
From: Priport Service Planning Section	M. Ohtsubo	
Classification:	<input type="checkbox"/> Parts catalog correction <input type="checkbox"/> Vendor change <input type="checkbox"/> To meet standards <input type="checkbox"/> To facilitate assembly <input checked="" type="checkbox"/> To improve reliability () <input type="checkbox"/> Part standardization <input type="checkbox"/> Other ()	
Model Name:		
Ricoh JP5000, Gestetner 5450, RexRotary 1560, nashuatec CP450, Savin 3350DNP, Standard SD400		

To ensure smooth master feed, the master feed roller and the bushing in the master making unit have been changed.



Old #	New #	Description	Qty	Int	Page	Index	Note
H0531600	C2292162	Bushing – 6mm	2	X/O as a set	30	2	
C2292145	C2292147	Master Rooler Bracket	1		30	4	
C2292150	C2292172	Master Feed Roller Stay	1		30	11	
C2292157	C2332157	Master Feed Roller	1		30	12	
	C2292163	Master Feed Spring	2		30	31*	

*: New index number



Model: PRIPORT PEARL/PEARL-MC**Date:** 08-Mar-01**No:** M-C229-010**CUT IN SERIAL NUMBERS**

Model Name	V/Hz	Destination	Code	Serial Number
Standard SD400	120/60	USA, Canada	C233-11	C3850060001
Ricoh JP5000	120/60	USA, Canada	C233-17	C3760060001
Ges 5450, Rex 1560, Nsa CP450	230/50	Europe, etc.	C233-22	C3780060001
Ricoh JP5000	230/50	China	C233-26	C3761013001
Ricoh JP5000	230/50	Europe, etc.	C233-27	C3760066001
Ges 5450, Rex 1560, Nsa CP450	230/50	China	C233-28	C3790060001
Ricoh JP5000	230/50	Asia, etc.	C233-29	C3760069001
Ges 5450, Rex 1560, Nsa CP450, Savin 3350DNP	120/60	USA, Canada	C233-51	C3770060001
Ricoh JP5000	120/60	USA, Canada	C229-17	Discontinued in February 2000
Ges 5450, Rex 1560, Nsa CP450	230/50	Europe, etc.	C229-22	Discontinued in February 2000
Ricoh JP5000	230/50	China	C229-26	Discontinued in February 2000
Ricoh JP5000	230/50	Europe, etc.	C229-27	Discontinued in February 2000
Ges 5450, Rex 1560, Nsa CP450	230/50	China	C229-28	Discontinued in February 2000
Ricoh JP5000	230/50	Asia, etc.	C229-29	Discontinued in February 2000
Ges 5450, Rex 1560, Nsa CP450, Savin 3350DNP	120/60	USA, Canada	C229-51	Discontinued in February 2000

Model: PRIPORT PEARL/PEARL-MC	Date: 14-Mar-03	No: M-C229-011
Modified Article: Sector Gear	Prepared by:	
From: Priport Service Planning Section	M. Ohtsubo	
Classification:	<input type="checkbox"/> Parts catalog correction <input type="checkbox"/> Vendor change <input type="checkbox"/> To meet standards <input type="checkbox"/> To facilitate assembly <input checked="" type="checkbox"/> To improve reliability () <input type="checkbox"/> Part standardization <input type="checkbox"/> Other ()	
Model Name:		
Ricoh JP5000, Gestetner 5450, RexRotary 1560, nashuatec CP450, Savin 3350DNP, Standard SD400		

The shape of the sector gear has been changed to ensure gear overrun does not occur.

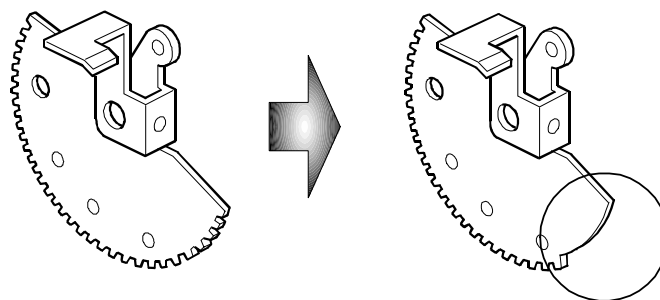
Sapphire parts catalog

Old #	New #	Description	Qty	Int	Page	Index
C2294052	C2394052	Sector Gear	1	X/O	27	6

NOTE: This new sector gear is available for Pearl, Pearl-MC, SAPPHIRE, GARNET and SA2.

Old

New



Model: PRIPORT PEARL/PEARL-MC**Date:** 14-Mar-03**No:** M-C229-011

BACKGROUND

SYMPTOM

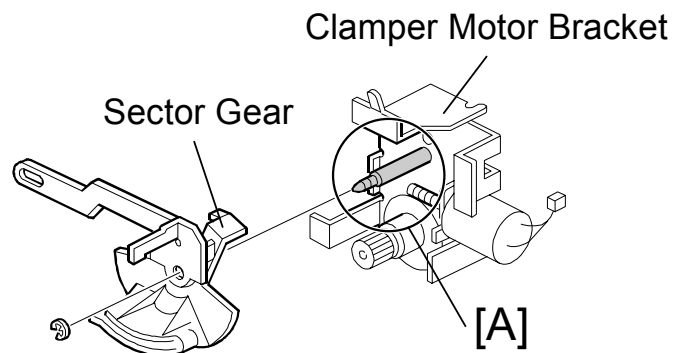
SC05-50 (Clamper close position sensor remains on when opening the clamper) occurs at power-up or during operation.

CAUSE

When the master clamper is being closed, the sector gear (C2294052) overruns.

When replacing the parts, please lubricate the shaft [A] where the sector gear and the clamper motor bracket come in contact,.

NOTE: Make sure that grease is applied to the places where the sector gear and the clamper motor bracket contact the shaft surface.



Model: PRIPORT PEARL/PEARL-MC

Date: 14-Mar-03

No: M-C229-011

CUT IN SERIAL NUMBERS

Model Name	V/Hz	Destination	Code	Serial Number
Standard SD400	120/60	USA, Canada	C233-11	C385 2020001 -
Ricoh JP5000	120/60	USA, Canada	C233-17	C376 2020001 -
Ges 5450, Rex 1560, Nsa CP450	230/50	Europe, etc.	C233-22	C378 2020001 -
Ricoh JP5000	230/50	China	C233-26	C376 2033001 -
Ricoh JP5000	230/50	Europe, etc.	C233-27	C376 2026001 -
Ges 5450, Rex 1560, Nsa CP450	230/50	China	C233-28	C379 2030001 -
Ricoh JP5000	230/50	Asia, etc.	C233-29	C376 2029001 -
Ges 5450, Savin 3350DNP	120/60	USA, Canada	C233-51	C377 2020001 -
Ricoh JP5000	120/60	USA, Canada	C229-17	Discontinued in February 2000
Ges 5450, Rex 1560, Nsa CP450	230/50	Europe, etc.	C229-22	Discontinued in February 2000
Ricoh JP5000	230/50	China	C229-26	Discontinued in February 2000
Ricoh JP5000	230/50	Europe, etc.	C229-27	Discontinued in February 2000
Ges 5450, Rex 1560, Nsa CP450	230/50	China	C229-28	Discontinued in February 2000
Ricoh JP5000	230/50	Asia, etc.	C229-29	Discontinued in February 2000
Ges 5450, Savin 3350DNP	120/60	USA, Canada	C229-51	Discontinued in February 2000

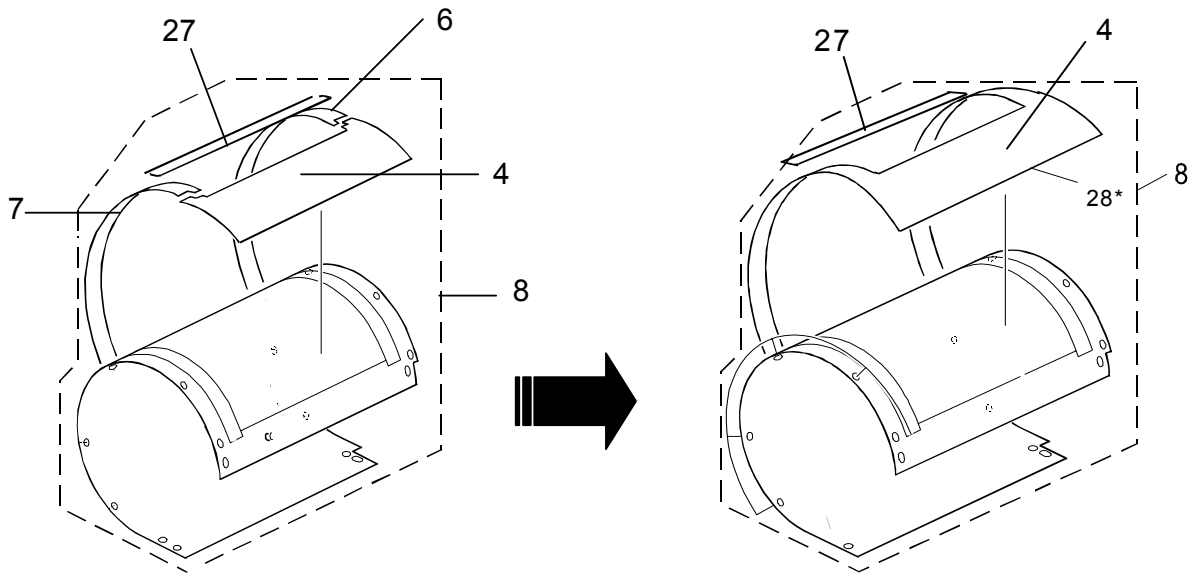
Reissued: 7-Aug-03

MB Correction

The items in bold italics have been corrected or added.

Model: PRIPORT PEARL/PEARL-MC	Date: 2-Jul-03	No: M-C229-012a
Modified Article: Metal Screen Mylar	Prepared by:	
From: Priport Service Planning Section	M. Kanomata	
Classification:	<input type="checkbox"/> Parts catalog correction <input type="checkbox"/> Vendor change <input type="checkbox"/> To meet standards <input type="checkbox"/> To facilitate assembly <input checked="" type="checkbox"/> To improve reliability () <input type="checkbox"/> Part standardization <input type="checkbox"/> Other ()	
Model Name: Ricoh JP5000, Gestetner 5450, RexRotary 1560, nashuatec CP450, Savin 3350DNP, Standard SD400		

The following have been changed to further improve the ink sealing at the leading and side edges.



Reissued: 7-Aug-03

Model: PRIPORT PEARL/PEARL-MC	Date: 2-Jul-03	No: M-C229-012a
--------------------------------------	-----------------------	------------------------

PEARL Parts Catalog

A3 size

Old #	New #	Description	Qty	Int	Page	Index
C2292476	-	Metal Screen Seal - A3	1	-	57	4
C2292547	-	Rear Shield - Metal Screen - A3/DLT	1	-	57	6
C2292543	-	Front Shield - Metal Screen - A3/DLT	1	-	57	7
-	C2292653	Metal Screen Mylar - A3	1	X/O	57	28*
C2292449	C2292652	Metal Screen Ass'y - A3	1	X/O	57	8

DLT size

Old #	New #	Description	Qty	Int	Page	Index
C2292671	-	Metal Screen Seal - DLT	1	-	57	4
C2292547	-	Rear Shield - Metal Screen - A3/DLT	1	-	57	6
C2292543	-	Front Shield - Metal Screen - A3/DLT	1	-	57	7
-	C2292661	Metal Screen Mylar - DLT	1	X/O	57	28*
C2292672	C2292673	Small Shield - Metal Screen (DLT)	1	X/O	57	27
C2292402	C2292660	Metal Screen Ass'y - DLT	1	X/O	57	8

*: New index

NOTE: The Small Shield - Metal Screen (DLT) is for DLT only.

Reissued: 7-Aug-03

Model: PRIPORT PEARL/PEARL-MC	Date: 2-Jul-03	No: M-C229-012a
--------------------------------------	-----------------------	------------------------

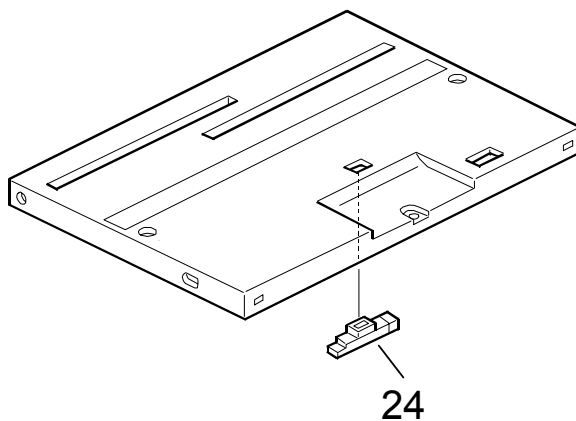
CUT IN SERIAL NUMBERS

Model Name	V/Hz	Destination	Code	Serial Number
Standard SD400	120/60	USA, Canada	C233-11	C3850030001
Ricoh JP5000	120/60	USA, Canada	C233-17	C3760030001
Ges 5450, Rex 1560, Nsa CP450	230/50	Europe, etc.	C233-22	C3780030001
Ricoh JP5000	230/50	China	C233-26	C3761013001
Ricoh JP5000	230/50	Europe, etc.	C233-27	C3760036001
Ges 5450, Rex 1560, Nsa CP450	230/50	China	C233-28	C3790030001
Ricoh JP5000	230/50	Asia, etc.	C233-29	C3760039001
Ges 5450, Savin 3350DNP	120/60	USA, Canada	C233-51	C3770030001
Ricoh JP5000	120/60	USA, Canada	C229-17	Discontinued in February 2000
Ges 5450, Rex 1560, Nsa CP450	230/50	Europe, etc.	C229-22	Discontinued in February 2000
Ricoh JP5000	230/50	China	C229-26	Discontinued in February 2000
Ricoh JP5000	230/50	Europe, etc.	C229-27	Discontinued in February 2000
Ges 5450, Rex 1560, Nsa CP450	230/50	China	C229-28	Discontinued in February 2000
Ricoh JP5000	230/50	Asia, etc.	C229-29	Discontinued in February 2000
Ges 5450, Savin 3350DNP	120/60	USA, Canada	C229-51	Discontinued in February 2000

Model: PRIPORT PEARL/PEARL-MC	Date: 2-Oct-03	No: M-C229-013
Modified Article: Paper Length Sensor	Prepared by:	
From: Priport Service Planning Section	M. Kanomata	
Classification:	<input type="checkbox"/> Parts catalog correction <input type="checkbox"/> Vendor change <input type="checkbox"/> To meet standards <input type="checkbox"/> To facilitate assembly <input checked="" type="checkbox"/> To improve reliability () <input type="checkbox"/> Part standardization <input type="checkbox"/> Other ()	
Model Name:		
Ricoh JP5000, Gestetner 5450, RexRotary 1560, nashuatec CP450, Savin 3350DNP, Standard SD400		

The paper length sensor has been changed to ensure paper size misdetections do not occur. Please refer to RTB #RC229014 for more details.

Old #	New #	Description	Qty	Int	Page	Index
C2295807	C2445807	Photosensor - GP2A210LCSJ	1	X/O	29	24



Model: PRIPORT PEARL/PEARL-MC**Date:** 2-Oct-03**No:** M-C229-013**CUT IN SERIAL NUMBERS**

Model Name	V/Hz	Destination	Code	Serial Number
Standard SD400	120/60	USA, Canada	C233-11	C3853100001
Ricoh JP5000	120/60	USA, Canada	C233-17	C3763100001
Ges 5450, Rex 1560, Nsa CP450	230/50	Europe, etc.	C233-22	C3783100001
Ricoh JP5000	230/50	China	C233-26	C3763103001
Ricoh JP5000	230/50	Europe, etc.	C233-27	C3763106001
Ges 5450, Rex 1560, Nsa CP450	230/50	China	C233-28	C3793100001
Ricoh JP5000	230/50	Asia, etc.	C233-29	C3763109001
Ges 5450, Savin 3350DNP	120/60	USA, Canada	C233-51	C3773100001
Gestetner 5450	230/50	China	C233-82	F3431070001
Ricoh JP5000	230/50	China	C233-96	F3431070001
Ricoh JP5000	120/60	USA, Canada	C229-17	Discontinued in February 2000
Ges 5450, Rex 1560, Nsa CP450	230/50	Europe, etc.	C229-22	Discontinued in February 2000
Ricoh JP5000	230/50	China	C229-26	Discontinued in February 2000
Ricoh JP5000	230/50	Europe, etc.	C229-27	Discontinued in February 2000
Ges 5450, Rex 1560, Nsa CP450	230/50	China	C229-28	Discontinued in February 2000
Ricoh JP5000	230/50	Asia, etc.	C229-29	Discontinued in February 2000
Ges 5450, Savin 3350DNP	120/60	USA, Canada	C229-51	Discontinued in February 2000

Model: PRIPORT PEARL/PEARL-MC		Date: 28-Nov-03	No: M-C229-014
Modified Article: Paper clamper change		Prepared by:	
From: Priport Service Planning Section		K. Yamamoto	
Classification: <input type="checkbox"/> Parts catalog correction <input type="checkbox"/> Vendor change <input type="checkbox"/> To meet standards <input type="checkbox"/> To facilitate assembly <input checked="" type="checkbox"/> To improve reliability () <input type="checkbox"/> Part standardization <input type="checkbox"/> Other ()			
Model Name:			
Ricoh JP5000, Gestetner 5450, RexRotary 1560, nashuatec CP450, Savin 3350DNP, Standard SD400			

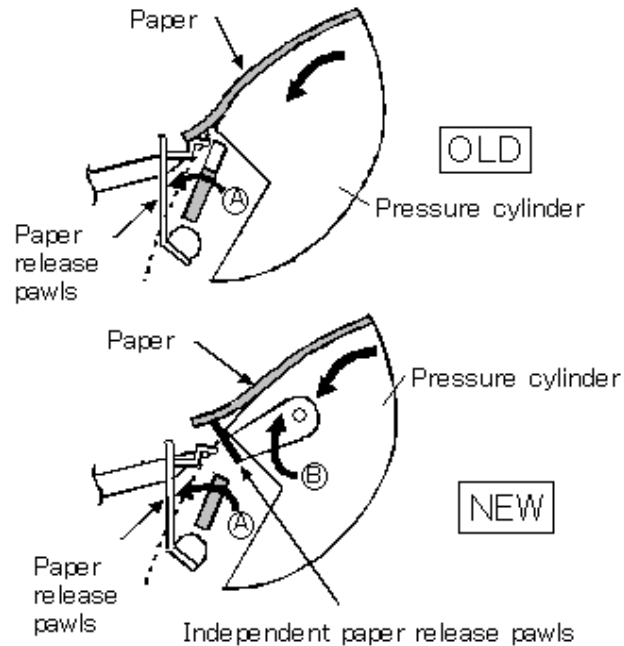
A set of paper release pawls has been added to the paper clamper assembly to ensure that the paper is properly fed out of the clamper (see the next page for details).

Old part number	New part number	Description	Q'ty	Int	Page	Index
C2293110		Arm clamper Ass'y	1	-	39	4
C2293002	C2293011	Paper clamper Ass'y	1	X/O as a set	39	5
C2293107	C2293260	Clamper cam	1		41	10

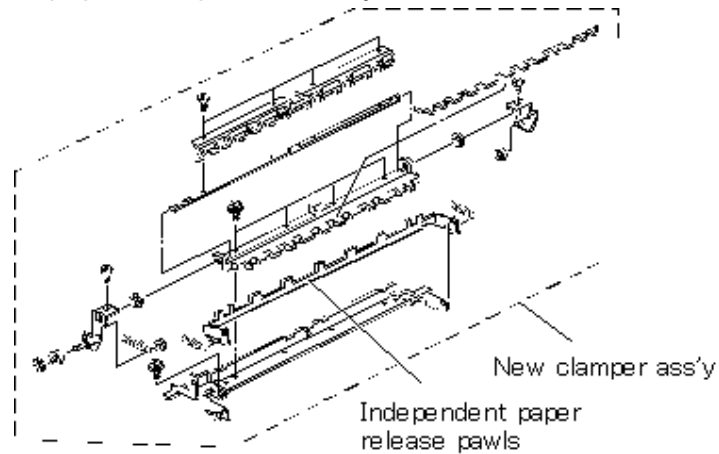
Note: When installing for the first time, replace the paper clamper assembly and clamper cam together as a set.

Model: PRIPORT PEARL/PEARL-MC**Date:** 28-Nov-03**No:** M-C229-014

The new paper release pawl mechanism [B] has been added to the paper clamber, ensuring that the paper is guided out and does not remain inside the clamber.



New illustration for the paper clamber assembly:



Model: PRIPORT PEARL/PEARL-MC

Date: 28-Nov-03

No: M-C229-014

CUT IN SERIAL NUMBERS

Model Name	V/Hz	Destination	Code	Serial Number
Ricoh JP5000	120/60	USA, Canada	C229-17	C3569080001 (Discontinued in February 2000)
Ges 5450, Rex 1560, Nsa CP450	230/50	Europe, etc.	C229-22	AT29080001 (Discontinued in February 2000)
Ricoh JP5000	230/50	China	C229-26	C3569090009 (Discontinued in February 2000)
Ricoh JP5000	230/50	Europe, etc.	C229-27	C3569080030 (Discontinued in February 2000)
Ges 5450, Rex 1560, Nsa CP450	230/50	China	C229-28	AT39120001 (Discontinued in February 2000)
Ricoh JP5000	230/50	Asia, etc.	C229-29	C3569080073 (Discontinued in February 2000)
Ges 5450, Savin 3350DNP	120/60	USA, Canada	C229-51	AT19080001 (Discontinued in February 2000)
Standard SD400	120/60	USA, Canada	C233-11	From first mass-production
Ricoh JP5000	120/60	USA, Canada	C233-17	From first mass-production
Ges 5450, Rex 1560, Nsa CP450	230/50	Europe, etc.	C233-22	From first mass-production
Ricoh JP5000	230/50	China	C233-26	From first mass-production (Discontinued in January 2003)
Ricoh JP5000	230/50	Europe, etc.	C233-27	From first mass-production
Ges 5450, Rex 1560, Nsa CP450	230/50	China	C233-28	From first mass-production (Discontinued in March 2003)
Ricoh JP5000	230/50	Asia, etc.	C233-29	From first mass-production
Ges 5450, Savin 3350DNP	120/60	USA, Canada	C233-51	From first mass-production
Gestetner 5450	230/50	China	C233-82	From first mass-production
Ricoh JP5000	230/50	China	C233-96	From first mass-production

Model: PRIPORT PEARL/PEARL-MC	Date: 12-Mar-04	No: M-C229-015
Modified Article: Drum Clamper Change	Prepared by:	
From: Priport Service Planning Section	K. Yamamoto	
Classification:	<input type="checkbox"/> Parts catalog correction <input type="checkbox"/> Vendor change <input type="checkbox"/> To meet standards <input type="checkbox"/> To facilitate assembly <input checked="" type="checkbox"/> To improve reliability () <input type="checkbox"/> Part standardization <input type="checkbox"/> Other ()	
Model Name:		
Ricoh JP5000, Gestetner 5450, RexRotary 1560, Nashuatec CP450, Savin 3350DNP, Standard SD400		

The following have been changed to further ensure the master separates from the clamper properly.

Old part number	New part number	Description	Q'ty	Int	Page	Index
C2292591	C2292675	Drum Clamper Base	1	X/O as a set	56	23
C2292314	C2292678	Master Clamper Ass'y	1		56	21

Note: The drum clamper base and master clamper assembly should be replaced **together as a set**.

CAUSE

Oil separates out of the oil and collects on the drum clamper base, causing the master to stick to the master clamper.

SOLUTION

Tape has been added to the drum clamper base to reduce the surface smoothness, which will allow the master to separate more easily. At the same time, the force of the magnet has been increased to ensure the master stays properly fixed in place during printing.

Action in the Field

1. Replace the drum clamper base and master clamper assembly.
2. If oil is present, clean the clamper as well.

Model: PRIPORT PEARL/PEARL-MC

Date: 12-Mar-04

No: M-C229-015

CUT IN SERIAL NUMBERS

Model Name	V/Hz	Destination	Code	Serial Number
Ricoh JP5000	120/60	USA, Canada	C229-17	C356110025 (Discontinued in February 2000)
Ges 5450, Rex 1560, Nsa CP450	230/50	Europe, etc.	C229-22	AT28090001 (Discontinued in February 2000)
Ricoh JP5000	230/50	China	C229-26	C3568090001 (Discontinued in February 2000)
Ricoh JP5000	230/50	Europe, etc.	C229-27	C3568090021 (Discontinued in February 2000)
Ges 5450, Rex 1560, Nsa CP450	230/50	China	C229-28	AT38100001 (Discontinued in February 2000)
Ricoh JP5000	230/50	Asia, etc.	C229-29	C3568090144 (Discontinued in February 2000)
Ges 5450, Savin 3350DNP	120/60	USA, Canada	C229-51	AT18100001 (Discontinued in February 2000)
Standard SD400	120/60	USA, Canada	C233-11	1st Mass Production (Discontinued)
Ricoh JP5000	120/60	USA, Canada	C233-17	1st Mass Production (Discontinued)
Ges 5450, Rex 1560, Nsa CP450	230/50	Europe, etc.	C233-22	1st Mass Production (Discontinued)
Ricoh JP5000	230/50	China	C233-26	1st Mass Production (Discontinued)
Ricoh JP5000	230/50	Europe, etc.	C233-27	1st Mass Production (Discontinued)
Ges 5450, Rex 1560, Nsa CP450	230/50	China	C233-28	1st Mass Production (Discontinued)
Ricoh JP5000	230/50	Asia, etc.	C233-29	1st Mass Production (Discontinued)
Ges 5450, Savin 3350DNP	120/60	USA, Canada	C233-51	1st Mass Production (Discontinued)
Gestetner 5450	230/50	China	C233-82	1st Mass Production (Discontinued)
Ricoh JP5000	230/50	China	C233-96	1st Mass Production (Discontinued)

Model: PRIPORT PEARL/PEARL-MC	Date: 18-Mar-04	No: M-C229-016
Modified Article: Ink leak	Prepared by:	
From: Priport Service Planning Section	M. Ohtsubo	
Classification:	<input type="checkbox"/> Parts catalog correction <input type="checkbox"/> Vendor change <input type="checkbox"/> To meet standards <input type="checkbox"/> To facilitate assembly <input checked="" type="checkbox"/> To improve reliability () <input type="checkbox"/> Part standardization <input type="checkbox"/> Other ()	
Model Name:		
Ricoh JP5000, Gestetner 5450, RexRotary 1560, nashuatec CP450, Savin 3350DNP, Standard SD400		

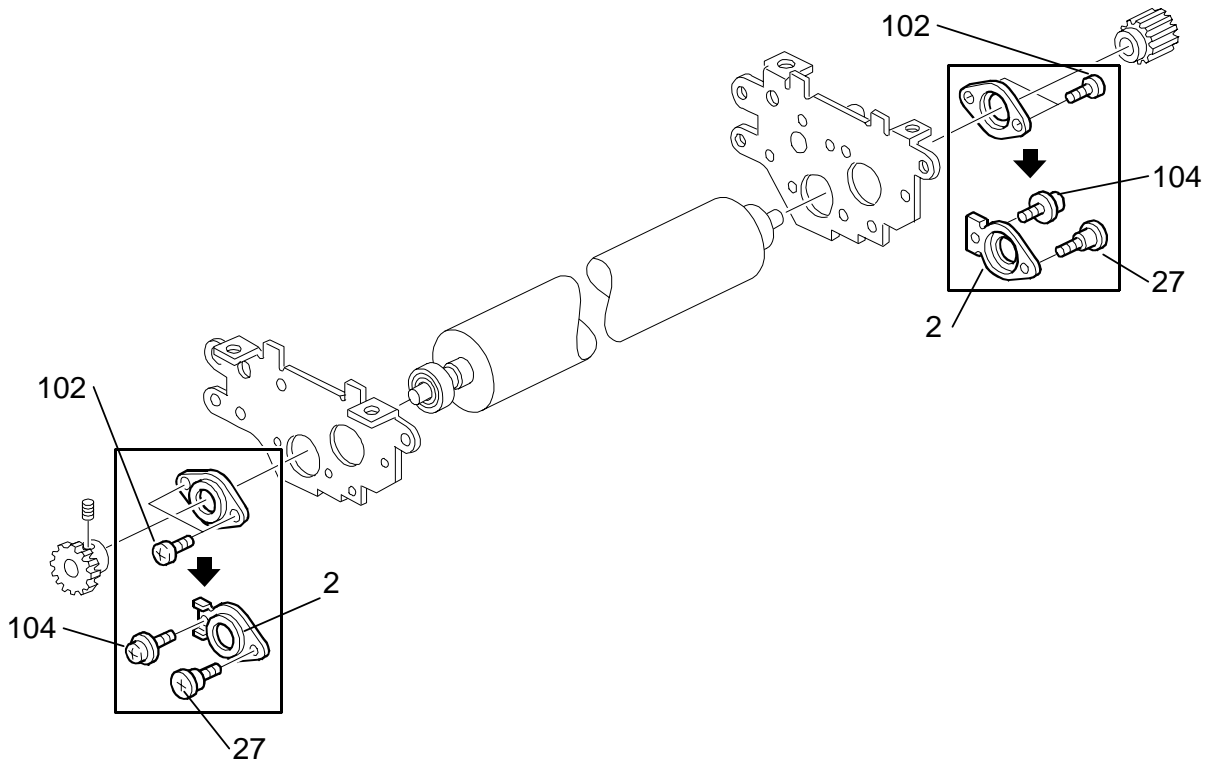
The shape of the bearing holder has been changed to ensure that ink is evenly applied to the drum screen and ink leaks do not occur.

Important: When replacing the following parts, be sure to perform the adjustments in RTB #RC229018.

Model: PRIPORT PEARL/PEARL-MC

Date: 18-Mar-04

No: M-C229-016



Old #	New #	Description	Qty	Int	Page	Index
C201 4665	C236 2468	Bearing Holder	2	X/O as a set	62	2
03130040Z	-	-	4 --> 0		62	102
-	09513006Z	Philips Screw With Flat Washer - M3	2		62	104
-	A259 6239	Screw - M3X4	2		62	*27
C229 2315	C229 2330	Ink Supply Roller Assembly	1	X/O	62	26

*: New index

Model: PRIPORT PEARL/PEARL-MC

Date: 18-Mar-04

No: M-C229-016

CUT IN SERIAL NUMBERS

Model Name	V/Hz	Destination	Code	Serial Number
Ricoh JP5000	120/60	USA, Canada	C229-17	Discontinued
Ges 5450, Rex 1560, Nsa CP450	230/50	Europe, etc.	C229-22	Discontinued
Ricoh JP5000	230/50	China	C229-26	Discontinued
Ricoh JP5000	230/50	Europe, etc.	C229-27	Discontinued
Ges 5450, Rex 1560, Nsa CP450	230/50	China	C229-28	Discontinued
Ricoh JP5000	230/50	Asia, etc.	C229-29	Discontinued
Ges 5450, Savin 3350DNP	120/60	USA, Canada	C229-51	Discontinued
Standard SD400	120/60	USA, Canada	C233-11	Discontinued
Ricoh JP5000	120/60	USA, Canada	C233-17	Discontinued
Ges 5450, Rex 1560, Nsa CP450	230/50	Europe, etc.	C233-22	Discontinued
Ricoh JP5000	230/50	China	C233-26	Discontinued
Ricoh JP5000	230/50	Europe, etc.	C233-27	Discontinued
Ges 5450, Rex 1560, Nsa CP450	230/50	China	C233-28	Discontinued
Ricoh JP5000	230/50	Asia, etc.	C233-29	Discontinued
Ges 5450, Savin 3350DNP	120/60	USA, Canada	C233-51	Discontinued
Gestetner 5450	230/50	China	C233-82	Discontinued
Ricoh JP5000	230/50	China	C233-96	Discontinued
Color Drum Type 50(L)	-	ALL	C577-09	C3583070001
Color Drum Type 40(S)	-	ALL	C587-09	C3593070001

Model: PRIPORT PEARL/PEARL-MC		Date: 18-Mar-04	No: M-C229-017
Modified Article: Ink Detection Board		Prepared by:	
From: Priport Service Planning Section		M. Ohtsubo	
Classification: <input type="checkbox"/> Parts catalog correction <input type="checkbox"/> Vendor change <input type="checkbox"/> To meet standards <input type="checkbox"/> To facilitate assembly <input checked="" type="checkbox"/> To improve reliability () <input type="checkbox"/> Part standardization <input type="checkbox"/> Other ()			
Model Name:			
Ricoh JP5000, Gestetner 5450, RexRotary 1560, nashuatec CP450, Savin 3350DNP, Standard SD400			

The ink detection Board has been changed to ensure ink misdetections and ink leaks do not occur. When replacing this part, please be sure to perform the adjustment described below.

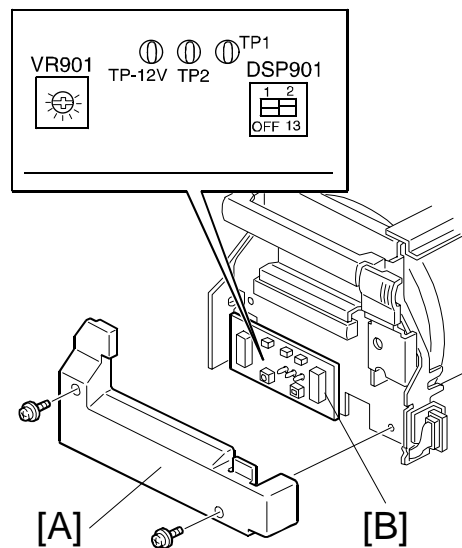
Old #	New #	Description	Qty	Int	Page	Index	Note
C229 5140	C239 5140	Ink Detection Board	1	X/O	54	15	-

INK DETECTION ADJUSTMENT

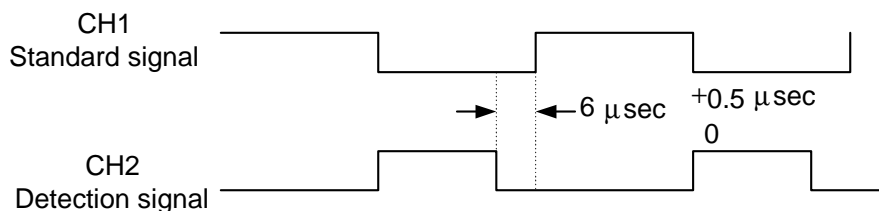
CAUTION: Before performing this procedure, be sure to wipe off the ink around the ink roller. To do this, set SP2-40 (Ink Detection) to OFF, and feed the paper until the ink reaches the end condition. After completing the following procedure, make sure to return SP2-40 to its default (ink detection ON).

PROCEDURE:

1. Remove the drum front cover [A].
2. On the ink detection board [B], connect the probes and the grounding lead of an oscilloscope as follows:
 - Probe CH1 to TP1
 - Probe CH2 to TP2
 - Grounding lead to TP-12V (select the 5 μ range).



3. Turn ON the main switch.
4. Make sure that the waveform is as shown in the top half of the following diagram when the ink detection pin is not in contact with the ink.



5. If incorrect, adjust the standard signal by turning VR901 on the ink detection board.

Model: PRIPORT PEARL/PEARL-MC

Date: 18-Mar-04

No: M-C229-017

CUT IN SERIAL NUMBERS

Model Name	V/Hz	Destination	Code	Serial Number
Ricoh JP5000	120/60	USA, Canada	C229-17	Discontinued
Ges 5450, Rex 1560, Nsa CP450	230/50	Europe, etc.	C229-22	Discontinued
Ricoh JP5000	230/50	China	C229-26	Discontinued
Ricoh JP5000	230/50	Europe, etc.	C229-27	Discontinued
Ges 5450, Rex 1560, Nsa CP450	230/50	China	C229-28	Discontinued
Ricoh JP5000	230/50	Asia, etc.	C229-29	Discontinued
Ges 5450, Savin 3350DNP	120/60	USA, Canada	C229-51	Discontinued
Standard SD400	120/60	USA, Canada	C233-11	Discontinued
Ricoh JP5000	120/60	USA, Canada	C233-17	Discontinued
Ges 5450, Rex 1560, Nsa CP450	230/50	Europe, etc.	C233-22	C3783010001
Ricoh JP5000	230/50	China	C233-26	C3763013001
Ricoh JP5000	230/50	Europe, etc.	C233-27	Discontinued
Ges 5450, Rex 1560, Nsa CP450	230/50	China	C233-28	C3793030001
Ricoh JP5000	230/50	Asia, etc.	C233-29	Discontinued
Ges 5450, Savin 3350DNP	120/60	USA, Canada	C233-51	C3773010001
Gestetner 5450	230/50	China	C233-82	F3430270001
Ricoh JP5000	230/50	China	C233-96	F3530470001
Color Drum Type 50(L)	-	ALL	C577-09	January, 2003
Color Drum Type 40(S)	-	ALL	C587-09	January, 2003

Reissued: 25-May-04

MB Correction

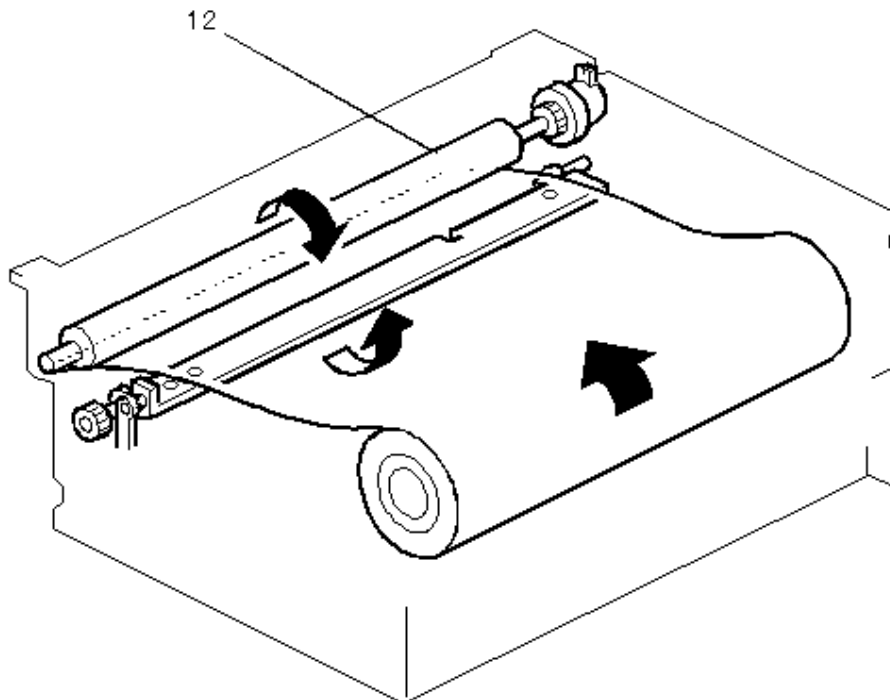
The items in bold italics have been corrected.

Model: PRIPORT PEARL/PEARL-MC		Date: 6-Apr-04	No: M-C229-018a
Modified Article: Upper inverter roller		Prepared by:	
From: Priport Service Planning Section		M. Ohtsubo	
Classification: <input type="checkbox"/> Parts catalog correction <input type="checkbox"/> Vendor change <input type="checkbox"/> To meet standards <input type="checkbox"/> To facilitate assembly <input checked="" type="checkbox"/> To improve reliability () <input type="checkbox"/> Part standardization <input type="checkbox"/> Other ()			
Model Name: Ricoh JP5000, Gestetner 5450, RexRotary 1560, nashuatec CP450, Savin 3350DNP, Standard SD400			

The material of the plotter unit upper inverter roller has been changed to sponge rubber to further ensure the roller maintains the proper shape.

Note: On the Pearl-MC (C233), the new roller has been used since the beginning of mass production.

Old #	New #	Description	Qty	Int	Page	Index	Note
C2292008	C2332008 C2322008	Upper Inverter Roller	1	X/O	73	12	



Reissued: 25-May-04

Model: PRIPORT PEARL/PEARL-MC**Date:** 6-Apr-04**No:** M-C229-018a**CUT IN SERIAL NUMBERS**

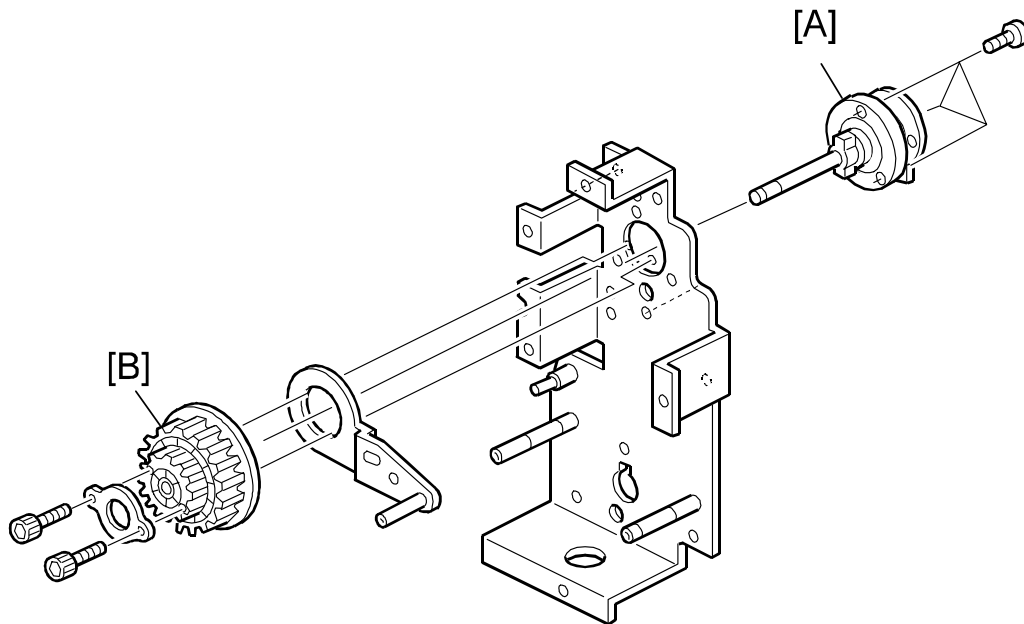
Model Name	V/Hz	Destination	Code	Serial Number
Ricoh JP5000	120/60	USA, Canada	C229-17	C3569110001
Ges 5450, Rex 1560, Nsa CP450	230/50	Europe, etc.	C229-22	AT2110001
Ricoh JP5000	230/50	China	C229-26	C3569110001
Ricoh JP5000	230/50	Europe, etc.	C229-27	C3569110021
Ges 5450, Rex 1560, Nsa CP450	230/50	China	C229-28	AT39120001
Ricoh JP5000	230/50	Asia, etc.	C229-29	C3569120048
Ges 5450, Savin 3350DNP	120/60	USA, Canada	C229-51	AT19110001
Standard SD400	120/60	USA, Canada	C233-11	From 1st mass production
Ricoh JP5000	120/60	USA, Canada	C233-17	From 1st mass production
Ges 5450, Rex 1560, Nsa CP450	230/50	Europe, etc.	C233-22	From 1st mass production
Ricoh JP5000	230/50	China	C233-26	From 1st mass production
Ricoh JP5000	230/50	Europe, etc.	C233-27	From 1st mass production
Ges 5450, Rex 1560, Nsa CP450	230/50	China	C233-28	From 1st mass production
Ricoh JP5000	230/50	Asia, etc.	C233-29	From 1st mass production
Ges 5450, Savin 3350DNP	120/60	USA, Canada	C233-51	From 1st mass production
Gestetner 5450	230/50	China	C233-82	From 1st mass production
Ricoh JP5000	230/50	China	C233-96	From 1st mass production

Model: PRIPORT PEARL/PEARL-MC		Date: 10-May-04	No: M-C229-019
Modified Article: Parts catalog correction for Drum Drive Shaft		Prepared by:	
From: Priport Service Planning Section		K. Yamamoto	
Classification: <input checked="" type="checkbox"/> Parts catalog correction <input type="checkbox"/> Vendor change <input type="checkbox"/> To meet standards <input type="checkbox"/> To facilitate assembly <input type="checkbox"/> To improve reliability () <input type="checkbox"/> Part standardization <input type="checkbox"/> Other ()			
Model Name: Ricoh JP5000, Gestetner 5450, RexRotary 1560, nashuatec CP450, Savin 3350DNP, Standard SD400			

The shape of drum drive shaft [A] and timing pulley – drum drive [B] were changed to prevent wear to the drum drive shaft.

Old part number	New part number	Description	Q'ty	Int	Page	Index
C2291090	C2331090	Drum Drive Shaft	1	X/O as a set	23	12
C2291092	C2331092	Timing Pulley - Drum Drive	1		25	12

Note: Replace the Drum Drive Shaft and the Timing Pulley together as a set.



Model: PRIPORT PEARL/PEARL-MC

Date: 10-May-04

No: M-C229-019

CUT IN SERIAL NUMBERS

Model Name	V/Hz	Destination	Code	Serial Number
Ricoh JP5000	120/60	USA, Canada	C229-17	Discontinued
Ges 5450, Rex 1560, Nsa CP450	230/50	Europe, etc.	C229-22	
Ricoh JP5000	230/50	China	C229-26	
Ricoh JP5000	230/50	Europe, etc.	C229-27	
Ges 5450, Rex 1560, Nsa CP450	230/50	China	C229-28	
Ricoh JP5000	230/50	Asia, etc.	C229-29	
Ges 5450, Savin 3350DNP	120/60	USA, Canada	C229-51	
Standard SD400	120/60	USA, Canada	C233-11	
Ricoh JP5000	120/60	USA, Canada	C233-17	C3761090001~
Ges 5450, Rex 1560, Nsa CP450	230/50	Europe, etc.	C233-22	C3781090001~
Ricoh JP5000	230/50	China	C233-26	C3762033001~ (Discontinued in January 2003)
Ricoh JP5000	230/50	Europe, etc.	C233-27	C3761096001~
Ges 5450, Rex 1560, Nsa CP450	230/50	China	C233-28	C3791090001~ (Discontinued in March 2003)
Ricoh JP5000	230/50	Asia, etc.	C233-29	C3761099001~
Ges 5450, Savin 3350DNP	120/60	USA, Canada	C233-51	C3771090001~

Model: PRIPORT PEARL/PEARL-MC	Date: 21-May-04	No: M-C229-020
Modified Article: Mylar peeling	Prepared by:	
From: Priport Service Planning Section	M. Kanomata	
Classification: <input type="checkbox"/> Parts catalog correction <input type="checkbox"/> Vendor change <input type="checkbox"/> To meet standards <input type="checkbox"/> To facilitate assembly <input checked="" type="checkbox"/> To improve reliability () <input type="checkbox"/> Part standardization <input type="checkbox"/> Other ()		
Model Name: Ricoh JP5000, Gestetner 5450, RexRotary 1560, nashuatec CP450, Savin 3350DNP, Standard SD400		

The adhesive between the metal screen mylar [A] and metal screen [B] has been strengthened and the shape of the small shield [C] was changed to ensure the small shield stays properly fixed in place.

NOTE: The small shield [C] also includes the metal screen mylar [A].

Pearl parts catalog

A3 size

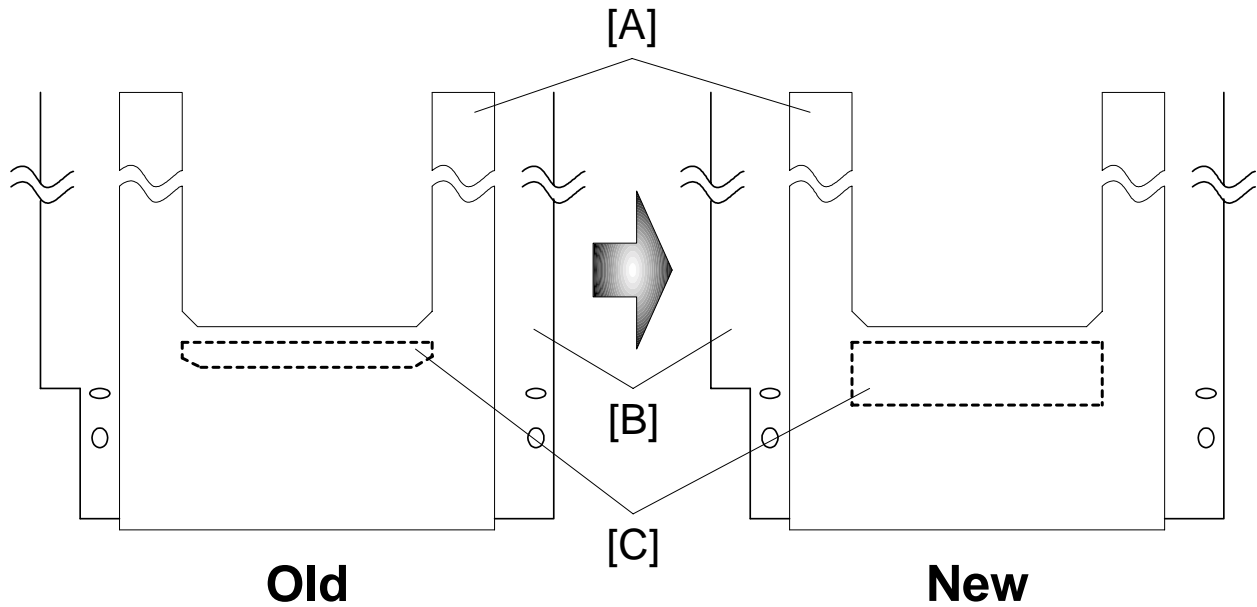
Old #	New #	Description	Qty	Int	Page	Index
C2292652	C2332652	Metal Screen Ass'y – A3	1	X/O	57	8
C2292653	C2332653	Metal Screen Mylar – A3	1	X/O	57	28

DLT size

Old #	New #	Description	Qty	Int	Page	Index
C2292660	C2332660	Metal Screen Ass'y – DLT	1	X/O	57	8
C2292661	C2332661	Metal Screen Mylar – DLT	1	X/O	57	28
C2292673	C2362656	Small Shield – Metal Screen (DLT)	1	X/O	57	27

A4 size

Old #	New #	Description	Qty	Int	Page	Index
C5872449	C5872471	Metal Screen Ass'y – A4	1	X/O	57	8

Model: PRIPORT PEARL/PEARL-MC**Date:** 21-May-04**No:** M-C229-020**[A] Metal Screen Mylar****[B] Metal Screen****[C] Small Shield**

Model: PRIPORT PEARL/PEARL-MC

Date: 21-May-04

No: M-C229-020

CUT IN SERIAL NUMBERS

Model Name	V/Hz	Destination	Code	Serial Number
Ricoh JP5000	120/60	USA, Canada	C229-17	Discontinued in February 2000
Ges 5450, Rex 1560, Nsa CP450	230/50	Europe, etc.	C229-22	
Ricoh JP5000	230/50	China	C229-26	
Ricoh JP5000	230/50	Europe, etc.	C229-27	
Ges 5450, Rex 1560, Nsa CP450	230/50	China	C229-28	
Ricoh JP5000	230/50	Asia, etc.	C229-29	
Ges 5450, Savin 3350DNP	120/60	USA, Canada	C229-51	
Standard SD400	120/60	USA, Canada	C233-11	C3853080001 ~
Ricoh JP5000	120/60	USA, Canada	C233-17	C3763080001 ~
Ges 5450, Rex 1560, Nsa CP450	230/50	Europe, etc.	C233-22	C3783080001 ~
Ricoh JP5000	230/50	China	C233-26	Discontinued in January 2003
Ricoh JP5000	230/50	Europe, etc.	C233-27	C3763086001 ~
Ges 5450, Rex 1560, Nsa CP450	230/50	China	C233-28	Discontinued in March 2003
Ricoh JP5000	230/50	Asia, etc.	C233-29	C3763089001 ~
Ges 5450, Savin 3350DNP	120/60	USA, Canada	C233-51	C3773080001 ~
Gestetner 5450	230/50	China	C233-82	F3430970001 ~
Ricoh JP5000	230/50	China	C233-96	F3530970001 ~

Model Name	Destination	Code	Serial Number
Color Drum Type 50 L	USA, Canada, Europe, etc.	C577-09	C3583090001 ~
Color Drum Type 40 S	USA, Canada, Europe, etc.	C587-09	C3593120001 ~

Model: PRIPORT PEARL/PEARL-MC		Date: 22-Nov-04	No: M-C229-021
Modified Article: ink pump case		Prepared by:	
From: Priport Service Planning Section		M. Ohtsubo	
Classification: <input type="checkbox"/> Parts catalog correction <input type="checkbox"/> Vendor change <input type="checkbox"/> To meet standards <input type="checkbox"/> To facilitate assembly <input checked="" type="checkbox"/> To improve reliability () <input type="checkbox"/> Part standardization <input type="checkbox"/> Other ()			
Model Name:			
Ricoh JP5000, Gestetner 5450, RexRotary 1560, nashuatec CP450, Savin 3350DNP, Standard SD400			

Pearl Parts Catalog

Old #	New #	Description	Qty	Int	Page	Index
C2292532	C2362532	Pump Case	1	X/O	59	15
C2292501	C2362509	Drum Pump Assembly	1	X/O	59	29
C2292502	C2362510	Ink Pump Assembly	1	X/O	59	44

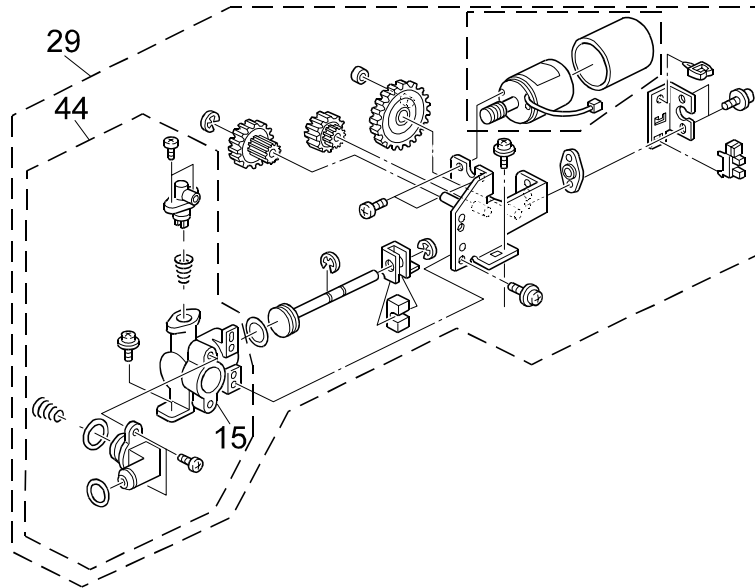
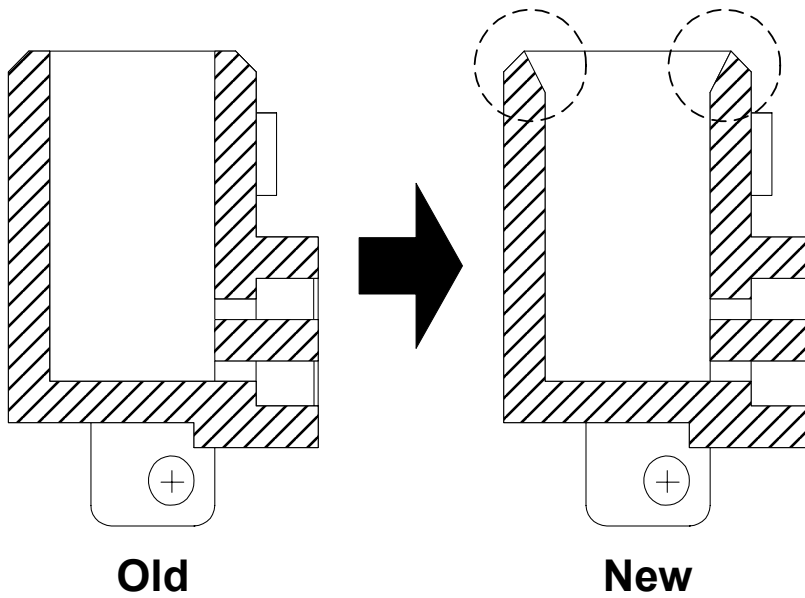
Pearl-MC Parts List (Use Pearl Parts Catalog)

Old #	New #	Description	Qty	Int	Page	Index
C2292532	C2362532	Pump Case	1	X/O	59	15
C2292501	C2362509	Drum Pump Assembly	1	X/O	59	29
C2292502	C2362510	Ink Pump Assembly	1	X/O	59	44

Change: Shape of the ink pump case

Reason: To ensure proper ink supply to the drum.

- NOTE:**
- For parts that are common to these two models, see the Pearl Parts Catalog.
 - For parts unique to the Pearl-MC, see MB #MC229-005.

Illustrations**A partial cross section of the ink pump case**

Model: PRIPORT PEARL/PEARL-MC

Date: 22-Nov-04

No: M-C229-021

CUT IN SERIAL NUMBERS

Model Name	V/Hz	Destination	Code	Serial Number
Ricoh JP5000	120/60	USA, Canada	C229-17	Discontinued
Ges 5450, Rex 1560, Nsa CP450	230/50	Europe, etc.	C229-22	Discontinued
Ricoh JP5000	230/50	China	C229-26	Discontinued
Ricoh JP5000	230/50	Europe, etc.	C229-27	Discontinued
Ges 5450, Rex 1560, Nsa CP450	230/50	China	C229-28	Discontinued
Ricoh JP5000	230/50	Asia, etc.	C229-29	Discontinued
Ges 5450, Savin 3350DNP	120/60	USA, Canada	C229-51	Discontinued
Standard SD400	120/60	USA, Canada	C233-11	Discontinued
Ricoh JP5000	120/60	USA, Canada	C233-17	Discontinued
Ges 5450, Rex 1560, Nsa CP450	230/50	Europe, etc.	C233-22	Discontinued
Ricoh JP5000	230/50	China	C233-26	Discontinued
Ricoh JP5000	230/50	Europe, etc.	C233-27	Discontinued
Ges 5450, Rex 1560, Nsa CP450	230/50	China	C233-28	Discontinued
Ricoh JP5000	230/50	Asia, etc.	C233-29	Discontinued
Ges 5450, Savin 3350DNP	120/60	USA, Canada	C233-51	Discontinued
Gestetner 5450	230/50	China	C233-82	Discontinued
Ricoh JP5000	230/50	China	C233-96	Discontinued
Color Drum Type 50 L	-	World Generic	C577-09	C3583110021
Color Drum Type 40 S	-	World Generic	C587-09	C3593120001

Model: PRIPORT PEARL/PEARL-MC		Date: 24-Jan-05	No: M-C229-022
Modified Article: Modified to environmentally-friendly material		Prepared by:	
From: Priport Service Planning Section		K. Yamamoto	
Classification: <input type="checkbox"/> Parts catalog correction <input type="checkbox"/> Vendor change <input type="checkbox"/> To meet standards <input type="checkbox"/> To facilitate assembly <input type="checkbox"/> To improve reliability () <input type="checkbox"/> Part standardization <input checked="" type="checkbox"/> Other ()			
Model Name:			
Ricoh JP5000, Gestetner 5450, RexRotary 1560, nashuatec CP450, Savin 3350DNP, Standard SD400			

Change: Materials were changed to more environmentally-friendly types.

Reason: This is part of Ricoh's ongoing application of in-house environmental management standards.

Note: The parts in the table below are common to both the Pearl and Pearl-MC. These parts are listed in the Pearl Parts Catalog. For parts that are unique to the Pearl-MC, see MB #MC229-005.

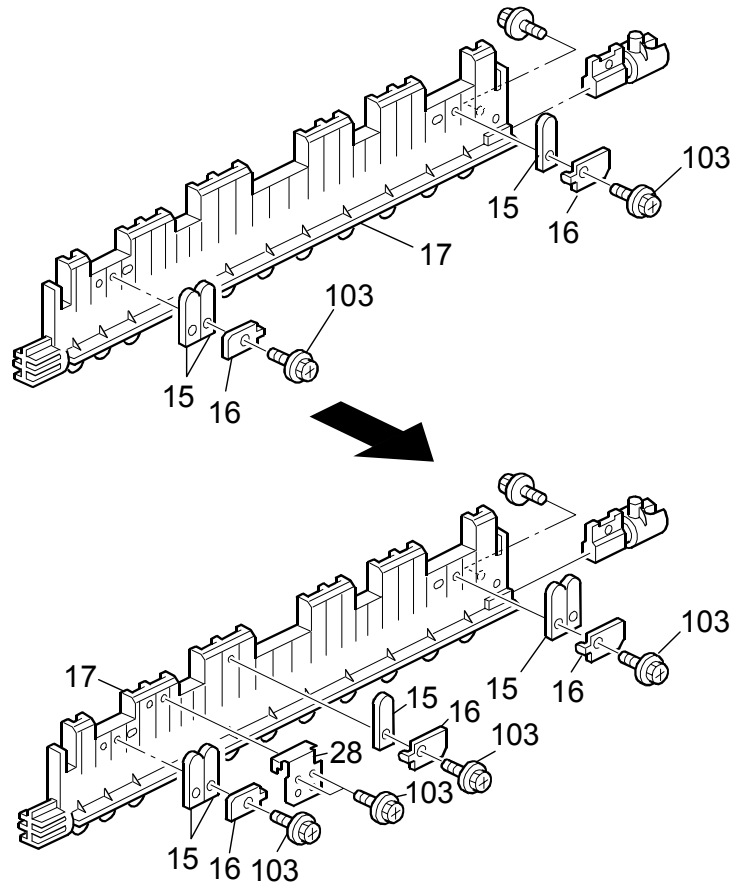
Pearl / Pearl-MC

Old Part Number	New Part Number	Description	Q'ty	Int	Page	Index
C2292850	C2442850	Paper Feed Stay	1	O/O	33	22
C2295732	C2445734	Feed Pressuer Morot Bracket	1	O/O	33	14
C2292893	C2442893	Right Pressuer Arm	1	O/O	37	12
C2292894	C2442894	Left Pressuer Arm	1	O/O	37	10
C2292898	C2442898	Pressure Release Lock Arm - Right	1	O/O	37	13
C2292899	C2442899	Pressure Release Lock Arm - Left	1	O/O	37	9
C2292900	C2442900	Pressure Release Shaft	1	O/O	37	11
C2295730	C2445730	Paper Table Motor Bracket	1	O/O	31	30
C2292751	C2442751	Right Side Plate	1	O/O	31	33
C2292755	C2442755	Lift Up Rack - Paper Table	1	O/O	31	1
C2292754	C2442754	Left Side Plate	1	O/O	31	6
56073927	C2442799	Stepped Screw - M3x8	2	O/O	31	17
C2292955	C2442955	Ground Plate	1	O/O	29	27

Model: PRIPORT PEARL/PEARL-MC	Date: 24-Jan-05	No: M-C229-023
Modified Article: Master press arm in master eject box	Prepared by:	
From: Priport Service Planning Section	M. Ohtsubo	
Classification:	<input type="checkbox"/> Parts catalog correction <input type="checkbox"/> Vendor change <input type="checkbox"/> To meet standards <input type="checkbox"/> To facilitate assembly <input checked="" type="checkbox"/> To improve reliability () <input type="checkbox"/> Part standardization <input type="checkbox"/> Other ()	
Model Name:		
Ricoh JP5000, Gestetner 5450, RexRotary 1560, nashuatec CP450, Savin 3350DNP, Standard SD400		

Change: Parts were added.

Reason: So that the master eject unit removes the used master from the drum more smoothly.



Model: PRIPORT PEARL/PEARL-MC

Date: 24-Jan-05

No: M-C229-023

Note: The parts in the table below are common to both the Pearl and Pearl-MC. These parts are listed in the Pearl Parts Catalog. For parts that are unique to the Pearl-MC, see MB #MC229-005.

Pearl / Pearl-MC

Old #	New #	Description	Qty	Int	Page	Index
C2293495	-	Master Stripper Pawl	3 → 5	X/O as a set	81	15
C2293496	C2443496	Master Stripper Pawl Holder	3		81	16
C2293493	C2443493	Master Press Arm	1		81	17
-	C2593495	Pressure Plate Bracket	1		81	28*
04503008B	-	Philips Tapping Screw – M4x8	2 → 5		81	103

*: New index

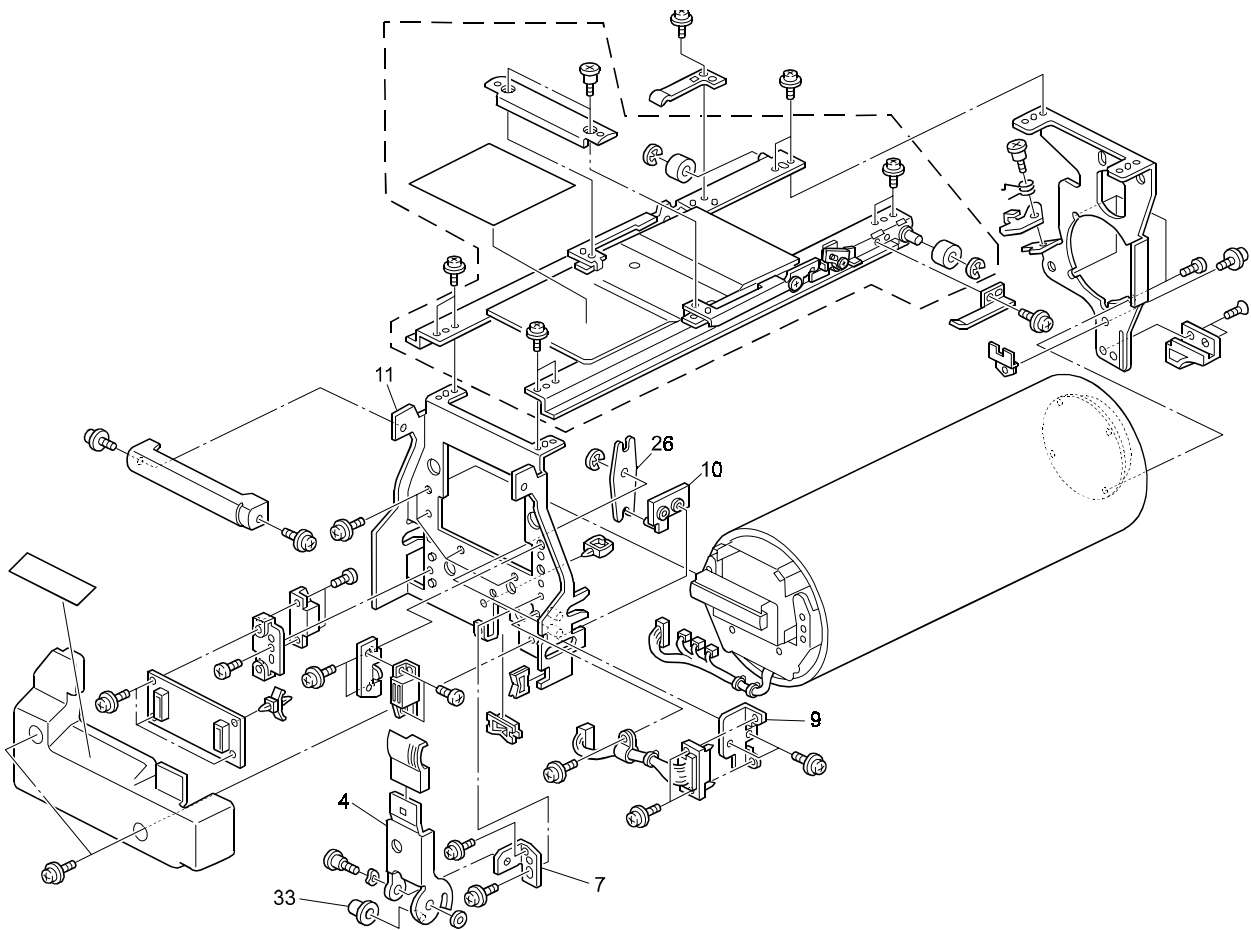
Model: PRIPORT PEARL/PEARL-MC**Date:** 24-Jan-05**No:** M-C229-023**CUT IN SERIAL NUMBERS**

Model Name	V/Hz	Destination	Code	Serial Number
Ricoh JP5000	120/60	USA, Canada	C229-17	Discontinued
Ges 5450, Rex 1560, Nsa CP450	230/50	Europe, etc.	C229-22	Discontinued
Ricoh JP5000	230/50	China	C229-26	Discontinued
Ricoh JP5000	230/50	Europe, etc.	C229-27	Discontinued
Ges 5450, Rex 1560, Nsa CP450	230/50	China	C229-28	Discontinued
Ricoh JP5000	230/50	Asia, etc.	C229-29	Discontinued
Ges 5450, Savin 3350DNP	120/60	USA, Canada	C229-51	Discontinued
Standard SD400	120/60	USA, Canada	C233-11	Discontinued
Ricoh JP5000	120/60	USA, Canada	C233-17	Discontinued
Ges 5450, Rex 1560, Nsa CP450	230/50	Europe, etc.	C233-22	Discontinued
Ricoh JP5000	230/50	China	C233-26	Discontinued
Ricoh JP5000	230/50	Europe, etc.	C233-27	Discontinued
Ges 5450, Rex 1560, Nsa CP450	230/50	China	C233-28	Discontinued
Ricoh JP5000	230/50	Asia, etc.	C233-29	Discontinued
Ges 5450, Savin 3350DNP	120/60	USA, Canada	C233-51	Discontinued
Gestetner 5450	230/50	China	C233-82	Discontinued
Ricoh JP5000	230/50	China	C233-96	Discontinued

Model: PRIPORT PEARL/PEARL-MC	Date: 5-Sep-05	No: M-C229-024
Modified Article: Parts Standardization of a Drum Lock Lever	Prepared by:	
From: Priport Service Planning Section	M. Ohtsubo	
Classification:	<input type="checkbox"/> Parts catalog correction <input type="checkbox"/> Vendor change <input type="checkbox"/> To meet standards <input type="checkbox"/> To facilitate assembly <input type="checkbox"/> To improve reliability () <input checked="" type="checkbox"/> Part standardization <input type="checkbox"/> Other ()	
Model Name:		
Ricoh JP5000, Gestetner 5450, RexRotary 1560, nashuatec CP450, Savin 3350DNP, Standard SD400		

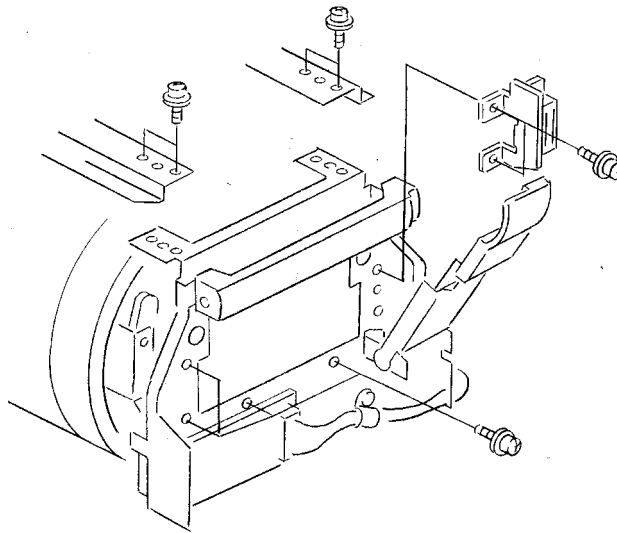
Change/Reason: Parts standardization with the Sapphire.

Note: See the installation procedure on the next page.

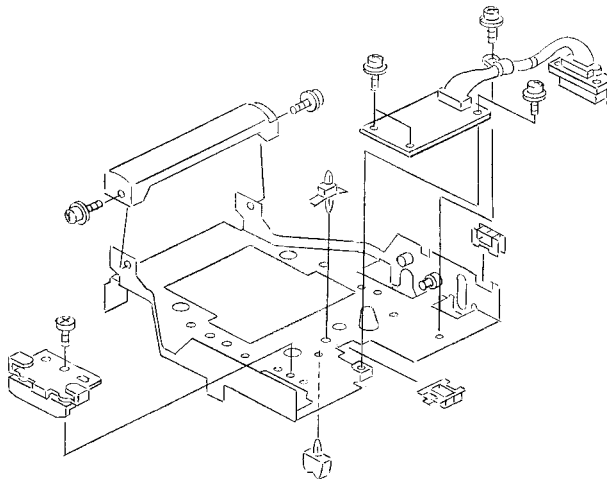


Old #	New #	Description	Qty	Int	Page	Index
C229 2367	C236 2367	Switch Lever	1	X/O as a set	55	4
C229 2365	C236 2365	Switch Lever Bracket	1		55	7
C229 2360	C236 2360	Connector Bracket	1		55	9
C229 2359	C236 2359	Connector Slider	1		55	10
C229 2351	C233 2351	Front Side Plate Ass'y	1		55	11
C229 2608	C236 2608	Switch Arm	1		55	26
-	C236 2370	Lever Collar	1		55	33*

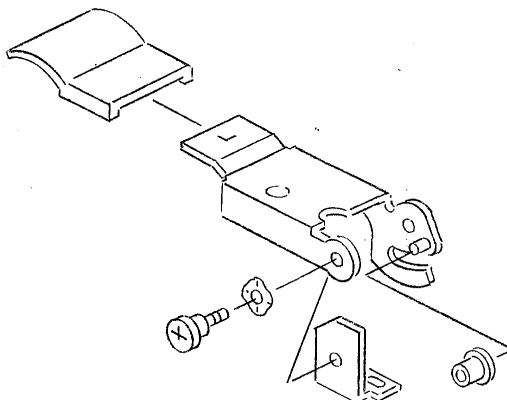
*: New index

Drum Lock Lever Installation Procedure

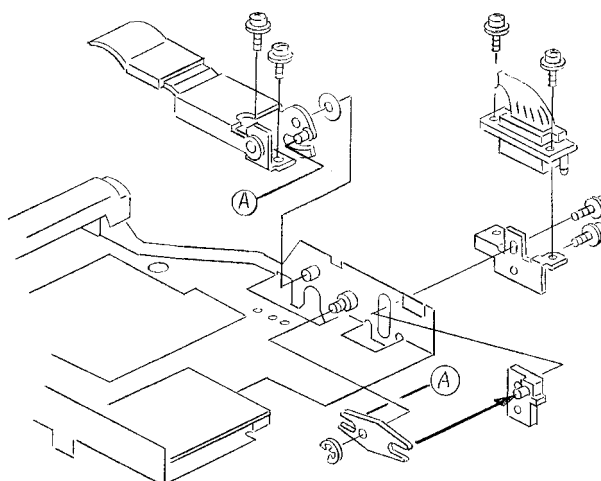
1. Remove the front side plate of the old drum.



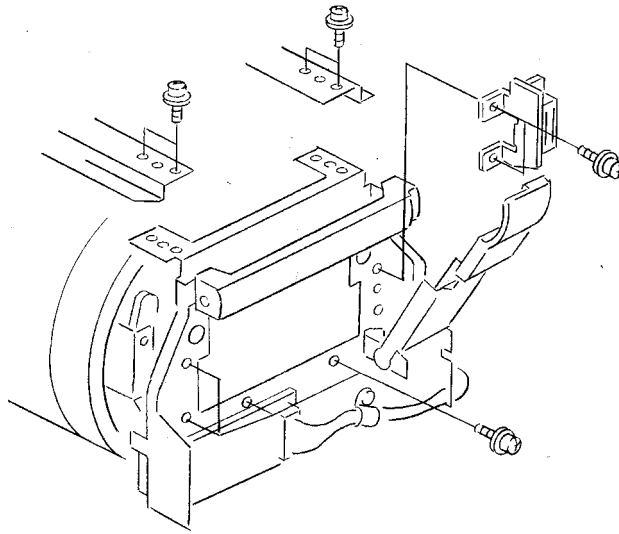
2. Attach the drum release grip, magnet catch assembly, ink detection board and clamps to the front side plate of the new drum.



3. Assemble the switch lever as shown above.



4. Attach the switch lever assembly, switch arm and connector bracket to the front side plate of the new drum.

Model: PRIPORT PEARL/PEARL-MC**Date:** 5-Sep-05**No:** M-C229-024

5. Reattach the front side plate of the new drum as shown above.

Model: PRIPORT PEARL/PEARL-MC

Date: 5-Sep-05

No: M-C229-024

CUT-IN SERIAL NUMBERS

Model Name	V/Hz	Destination	Code	Serial Number
Ricoh JP5000	120/60	USA, Canada	C229-17	Discontinued
Ges 5450, Rex 1560, Nsa CP450	230/50	Europe, etc.	C229-22	Discontinued
Ricoh JP5000	230/50	China	C229-26	Discontinued
Ricoh JP5000	230/50	Europe, etc.	C229-27	Discontinued
Ges 5450, Rex 1560, Nsa CP450	230/50	China	C229-28	Discontinued
Ricoh JP5000	230/50	Asia, etc.	C229-29	Discontinued
Ges 5450, Savin 3350DNP	120/60	USA, Canada	C229-51	Discontinued
Standard SD400	120/60	USA, Canada	C233-11	C3850110001
Ricoh JP5000	120/60	USA, Canada	C233-17	C3760110001
Ges 5450, Rex 1560, Nsa CP450	230/50	Europe, etc.	C233-22	C3780110001
Ricoh JP5000	230/50	China	C233-26	C3761013001
Ricoh JP5000	230/50	Europe, etc.	C233-27	C3760116001
Ges 5450, Rex 1560, Nsa CP450	230/50	China	C233-28	C3790110001
Ricoh JP5000	230/50	Asia, etc.	C233-29	C3760119001
Ges 5450, Savin 3350DNP	120/60	USA, Canada	C233-51	C3770110001
Gestetner 5450	230/50	China	C233-82	From first mass-production
Ricoh JP5000	230/50	China	C233-96	From first mass-production
Color Drum Type 50 L	-	World Generic	C577-09	C3580110001
Color Drum Type 40 S	-	World Generic	C587-09	C3590120001